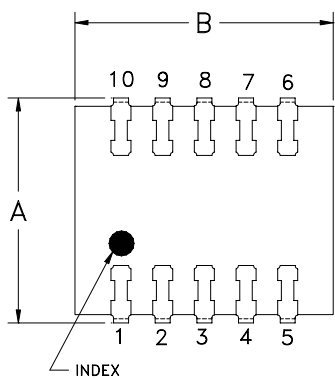
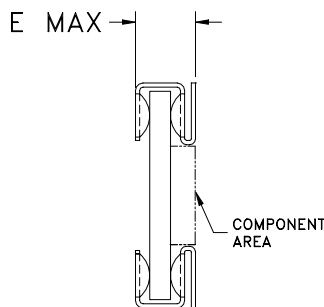


CB518
CB539

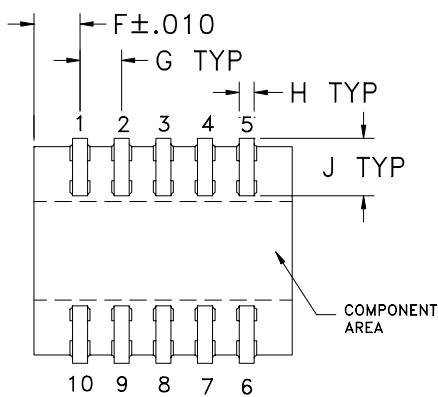
Outline Dimensions



TOP VIEW

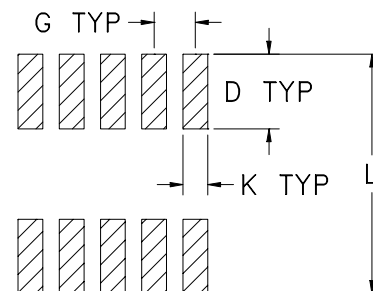


SIDE VIEW



BOTTOM VIEW

PCB Land Pattern



Suggested Layout,
Tolerance to be within $\pm.002$

CASE #	A	B	C	D	E	F	G	H	J	K	L	WT. GRAM
CB518	.27 (6.86)	.31 (7.87)	-	.090 (2.29)	.080 (2.03)	.055 (1.40)	.050 (1.27)	.018 (0.46)	.074 (1.88)	.030 (0.76)	.290 (7.37)	.3
CB539	.29 (7.36)	.30 (7.62)	-		.085 (2.16)	.050 (1.27)			.067 (1.70)		.315 (8.00)	.3

Dimensions are in inches (mm). Tolerances: 2Pl. $\pm .01$; 3 Pl. $\pm .005$

Notes:

- Open style, ceramic base.
- Termination finish:
For RoHS Case Styles: Tin plate over Nickel plate. All models, (+) suffix.
For RoHS-5 Case Styles: Tin-Lead plate. All models, no (+) suffix.



INTERNET <http://www.minicircuits.com>

P.O. Box 350166, Brooklyn, New York 11235-0003 (718) 934-4500 Fax (718) 332-4661

Distribution Centers NORTH AMERICA 800-654-7949 • 417-335-5935 • Fax 417-335-5945 • EUROPE 44-1252-832600 • Fax 44-1252-837010

Mini-Circuits ISO 9001 & ISO 14001 Certified