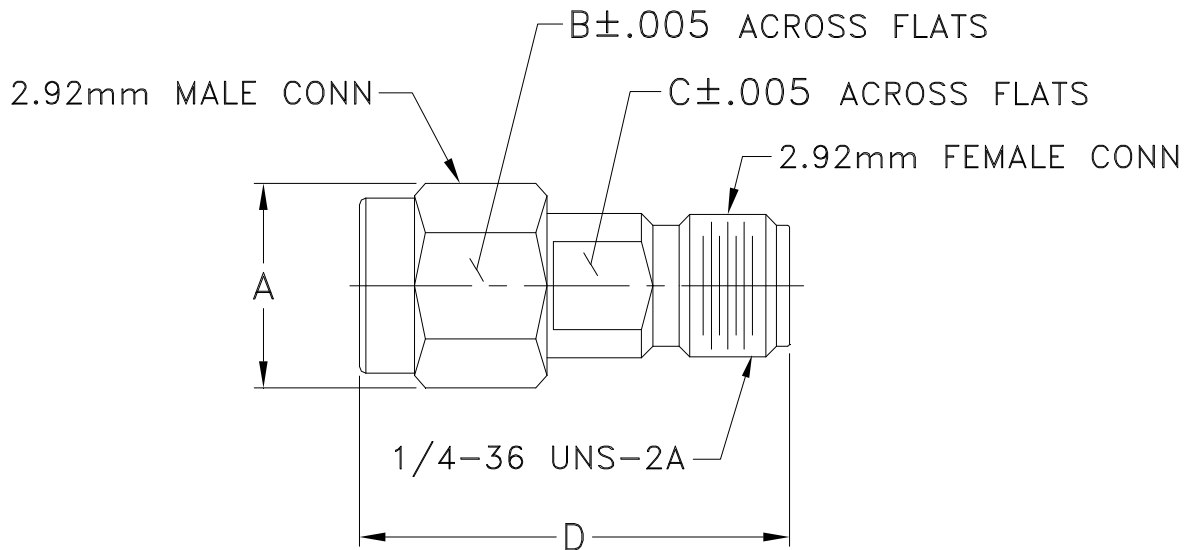


Outline Dimensions



CASE #	A	B	C	D	E	WT. GRAM
DJ1861	.36 (9.14)	.312 (7.93)	.234 (5.95)	.77 (19.50)	-- --	3.8

Dimensions are in inches (mm). Tolerances: 2 Pl. $\pm .03$; 3Pl. $+.015$

Notes:

1. Case material:Stainless Steel.
2. Finish: Passivation.