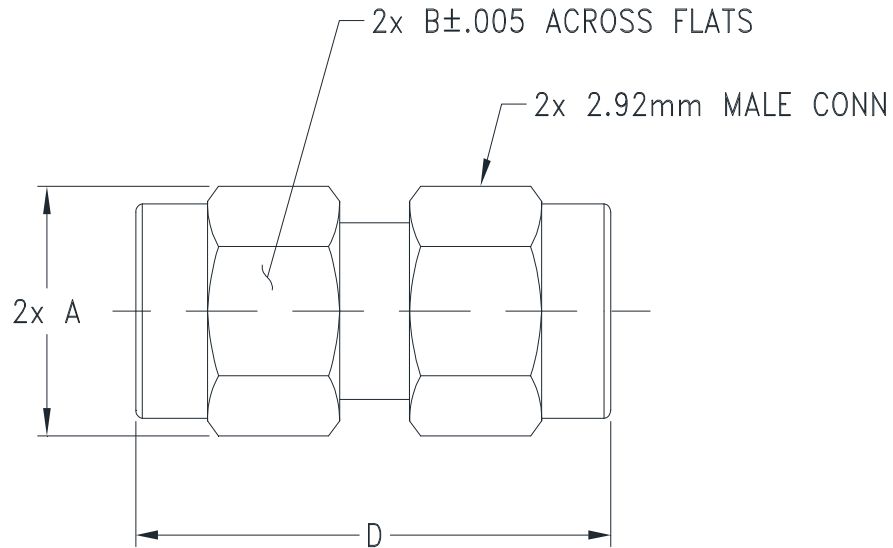


### Outline Dimensions



CASE #	A	B	C	D	E	WT. GRAM
DJ1862	.36 (9.14)	.312 (7.93)	-- --	.85 (21.59)	-- --	5.4

Dimensions are in inches (mm). Tolerances: 2 Pl. ± .03; 3Pl. + .015

#### Notes:

1. Case material:Stainless Steel.
2. Finish: Passivation.