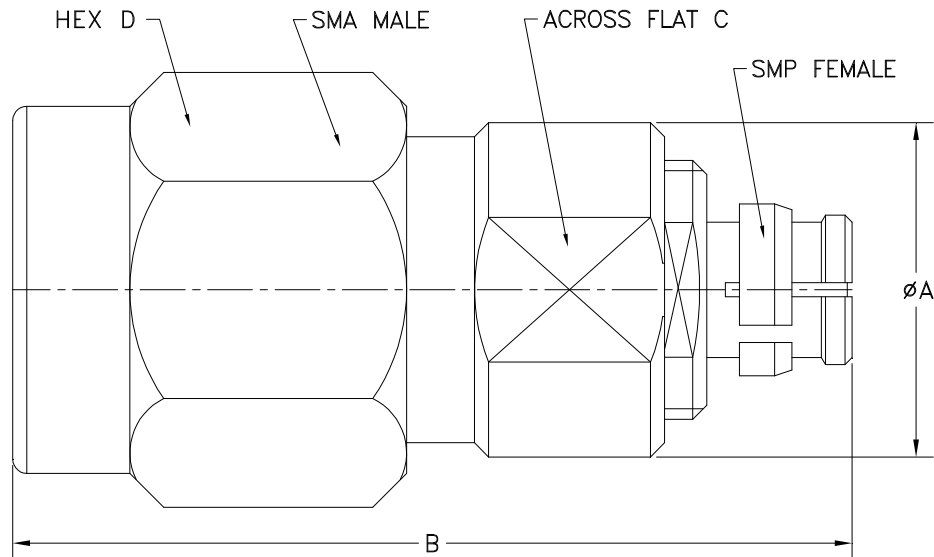


### Outline Dimensions



CASE #	A	B	C	D	E	WT. GRAM
DJ2143	.28 (7.1)	.70 (17.8)	.250 (6.4)	.315 (8.0)	- -	3.3

Dimensions are in inches (mm). Tolerances: 2 Pl.  $\pm .01$ ; 3Pl. + .005

#### Notes:

1. Case material: Stainless steel.
2. Finish: Passivation.



P.O. Box 350166, Brooklyn, New York 11235-0003 (718) 934-4500 Fax (718) 332-4661 For detailed performance specs & shopping online see Mini-Circuits web site



The Design Engineers Search Engine Provides ACTUAL Data Instantly From MINI-CIRCUITS At: [www.minicircuits.com](http://www.minicircuits.com)

RF/IF MICROWAVE COMPONENTS