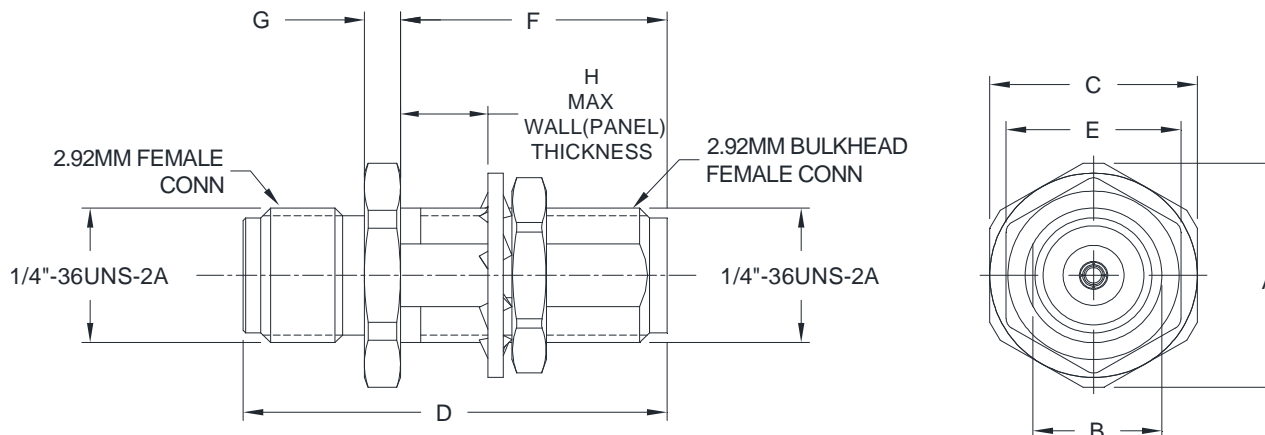
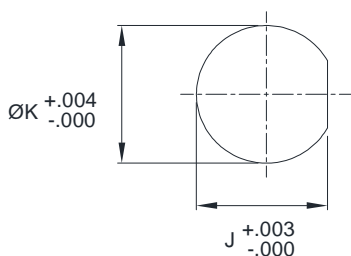


Outline Dimensions



MOUNTING DETAIL



| CASE # | A | B | C | D | E | F | G | H | J | K | WT. GRAM |
|----------|----------------|--------------|--------------|---------------|------------|---------------|---------------|------------|---------------|---------------|----------|
| DJ2261-2 | .41 [10.41] | .23 [5.9] | .37 [9.5] | .76 [19.4] | .32 [8] | .48 [12.2] | .06 [1.65] | .16 [4] | .236 [6.0] | .252 [6.4] | 4 |

Dimensions are in inches (mm). Tolerances: 2 Pl. ± .002; 3Pl. + .001

Notes:

1. Case material: Stainless Steel.
2. Finish: Passivation.



P.O. Box 350166, Brooklyn, New York 11235-0003 (718) 934-4500 Fax (718) 332-4661 For detailed performance specs & shopping online see Mini-Circuits web site



The Design Engineers Search Engine Provides ACTUAL Data Instantly From MINI-CIRCUITS At: www.minicircuits.com

RF/IF MICROWAVE COMPONENTS