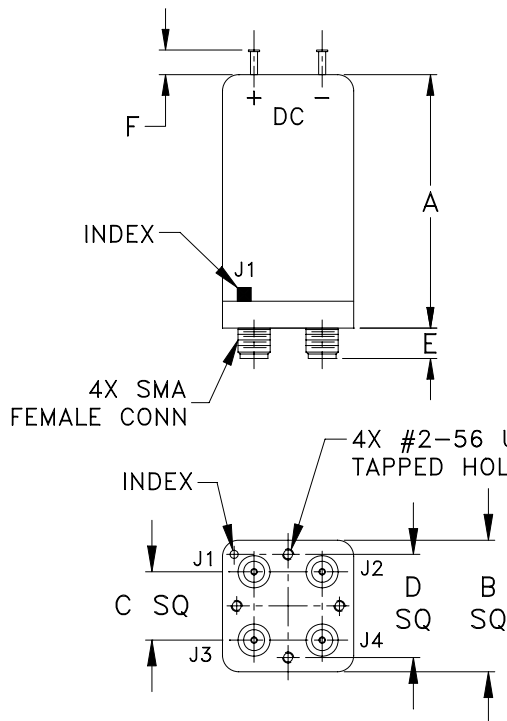
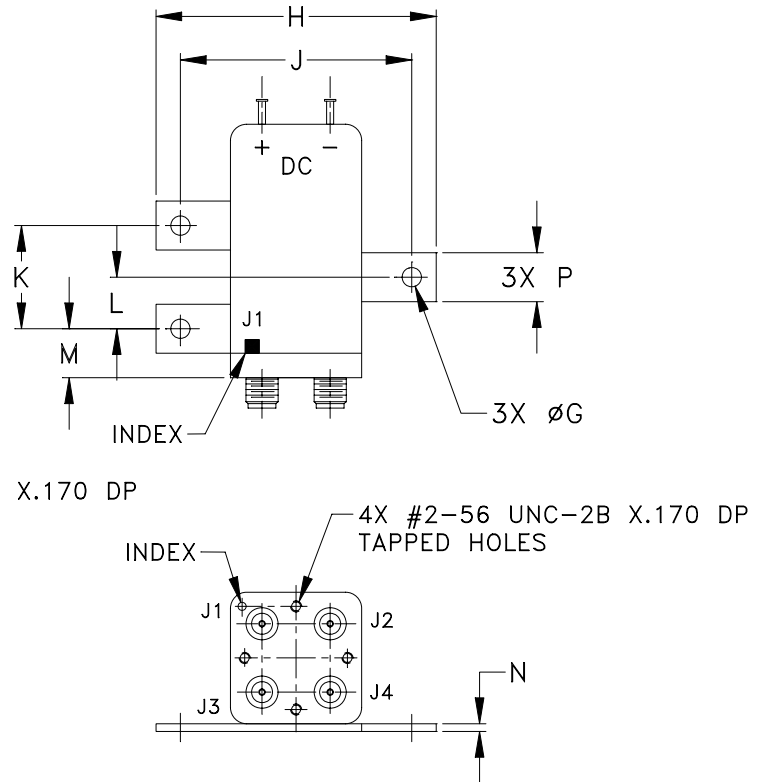


### Outline Dimensions

STANDARD



OPTION "B"



CASE #	A	B	C	D	E	F	G	H	J	K	L
DS810	1.97 (50.04)	1.02 (25.91)	.53 (13.46)	.800 (20.32)	.240 (6.10)	.19 (4.83)	.150 (3.81)	2.18 (55.37)	1.800 (45.72)	.800 (20.32)	.400 (10.16)

CASE #	M	N	P	WT. GRAM
DS810	.380 (9.65)	.06 (1.52)	.38 (9.65)	70

Dimensions are in inches (mm). Tolerances: 2Pl.  $\pm .03$ ; 3 Pl.  $\pm .015$

#### Note:

- Case material: Copper-Nickel alloy.



INTERNET <http://www.minicircuits.com>

P.O. Box 350166, Brooklyn, New York 11235-0003 (718) 934-4500 Fax (718) 332-4661

Distribution Centers NORTH AMERICA 800-654-7949 • 417-335-5935 • Fax 417-335-5945 • EUROPE 44-1252-832600 • Fax 44-1252-837010

Mini-Circuits ISO 9001 & ISO 14001 Certified