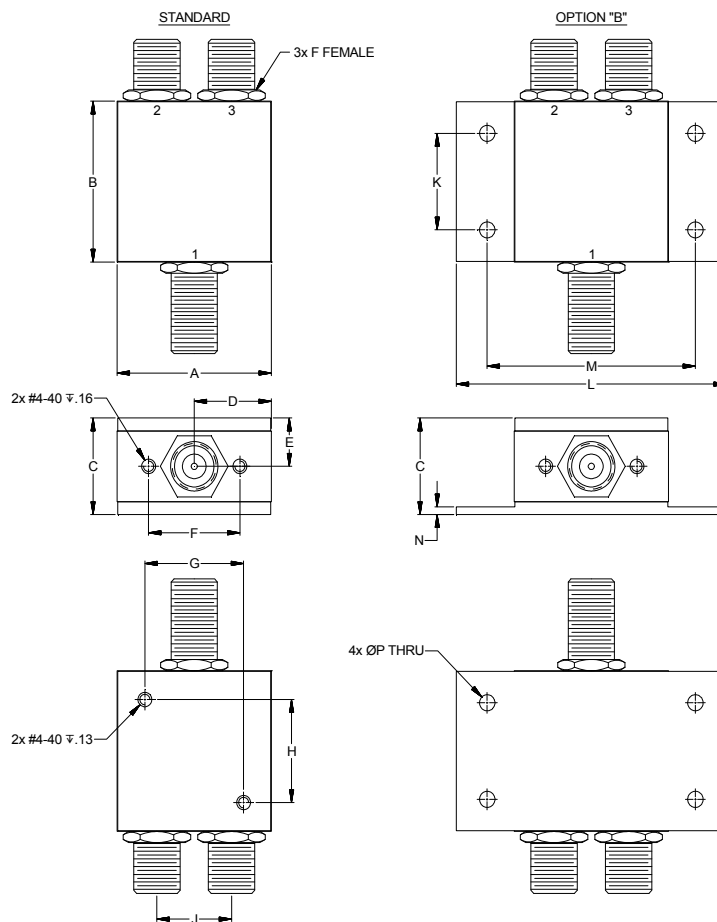


Outline Dimensions



| CASE# | A | B | C | D | E | F | G | H | J |
|-------|-----------------|-----------------|----------------|----------------|---------------|----------------|----------------|----------------|----------------|
| F2239 | 1.25 (31.75) | 1.25 (31.75) | .75 (19.05) | .63 (15.88) | .38 (9.53) | .74 (18.80) | .80 (20.32) | .80 (20.32) | .61 (15.37) |

| CASE# | K | L | M | N | P | WT.GRAMS |
|-------|----------------|-----------------|-----------------|---------------|----------------|----------|
| F2239 | .75 (19.05) | 2.19 (55.58) | 1.69 (42.88) | .06 (1.52) | .125 (3.18) | 85 |

Dimensions are in inches (mm). Tolerances: 2Pl. ± .03; 3Pl. ± .015

Notes:

- Case material: Aluminum alloy.
- Case finish:
 - For RoHS Case Styles: Clear chemical conversion coating, non-chrome or trivalent chrome based.
- Mounting bracket available on request: Add suffix B to part number.
- For Bracket version, option "B" dimension "C" changes from .76 to 1.00 inches when connectors type change.
- Refer to the individual model sheet for the type of connectors available.



INTERNET <http://www.minicircuits.com>

P.O. Box 350166, Brooklyn, New York 11235-0003 (718) 934-4500 Fax (718) 332-4661

Distribution Centers NORTH AMERICA 800-654-7949 • 417-335-5935 • Fax 417-335-5945 • EUROPE 44-1252-832600 • Fax 44-1252-837010

Mini-Circuits ISO 9001 & ISO 14001 Certified