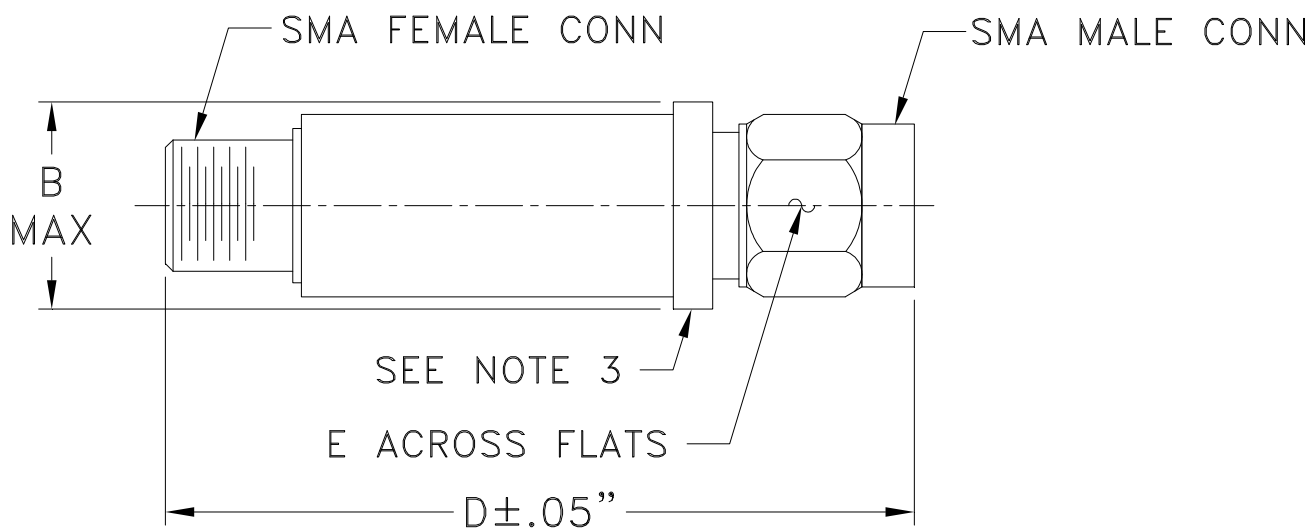


# Case Style

# FF

## FF1145

### Outline Dimensions



CASE #.	A	B	C	D	E	WT GRAMS
FF1145	--	.410 (10.41)	--	1.91 (48.51)	.312 (7.92)	11.8

Dimensions are in inches (mm). Tolerances: 2Pl. ± .04; 3Pl. ± .030

#### Notes:

1. Case material: Stainless steel.
2. Case finish: Gold plated.
3. Round Flange may have .312 Across Flats in some models.

 **Mini-Circuits**<sup>®</sup>  
ISO 9001 ISO 14001 CERTIFIED

ALL NEW  
  
minicircuits.com

P.O. Box 350166, Brooklyn, New York 11235-0003 (718) 934-4500 Fax (718) 332-4661 For detailed performance specs & shopping online see Mini-Circuits web site



The Design Engineers Search Engine Provides ACTUAL Data Instantly From MINI-CIRCUITS At: [www.minicircuits.com](http://www.minicircuits.com)

RF/IF MICROWAVE COMPONENTS

FF1145 Rev.: AR (13/AUG/21) ECO-009237 File: FF1145

This document and its contents are the property of Mini-Circuits.

Sheet 1 of 1