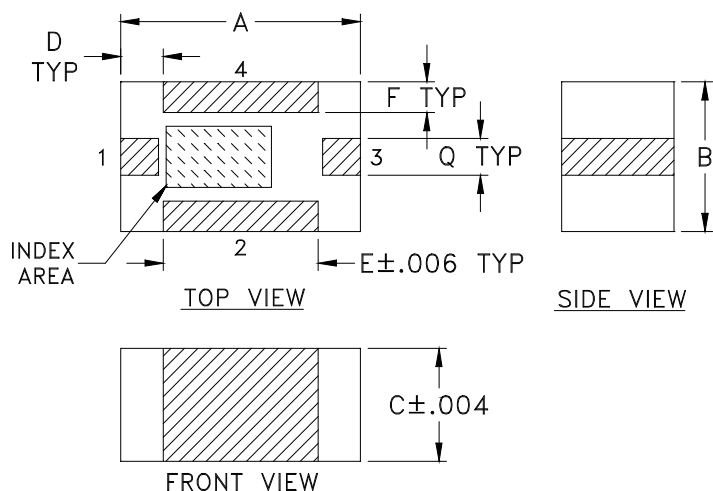
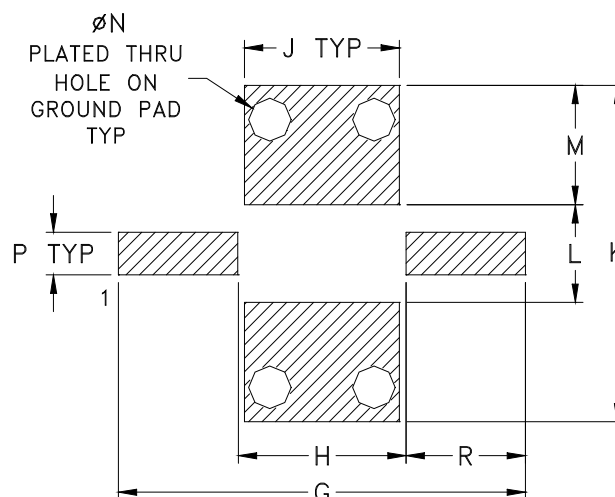


Outline Dimensions



PCB Land Pattern



Suggested Layout,
Tolerance to be within $\pm .002$

CASE #	A	B	C	D	E	F	G	H	J	K	L
GE0805C-3	.079 (2.00)	.049 (1.25)	.037 (0.95)	.014 (0.35)	.051 (1.30)	.010 (0.25)	.134 (3.40)	.055 (1.40)	.051 (1.30)	.110 (2.80)	.032 (0.80)

CASE #	M	N	P	Q	R	WT. GRAM
GE0805C-3	.039 (1.00)	.014 (0.35)	.014 (0.35)	.012 (0.30)	.039 (1.00)	.020

Dimensions are in inches (mm). Tolerances: 2Pl. $\pm .01$; 3 Pl. $\pm .005$

Notes:

- Open style, ceramic base.
- Termination finish:
 - For RoHS Case Styles: Tin plate over Nickel plate. All models, (+) suffix.
 - For RoHS-5 Case Styles: Tin-Lead plate over Nickel plate. All models, no (+) suffix.



P.O. Box 350166, Brooklyn, New York 11235-0003 (718) 934-4500 Fax (718) 332-4661 For detailed performance specs & shopping online see Mini-Circuits web site



The Design Engineers Search Engine Provides ACTUAL Data Instantly From MINI-CIRCUITS At: www.minicircuits.com

RF/IF MICROWAVE COMPONENTS