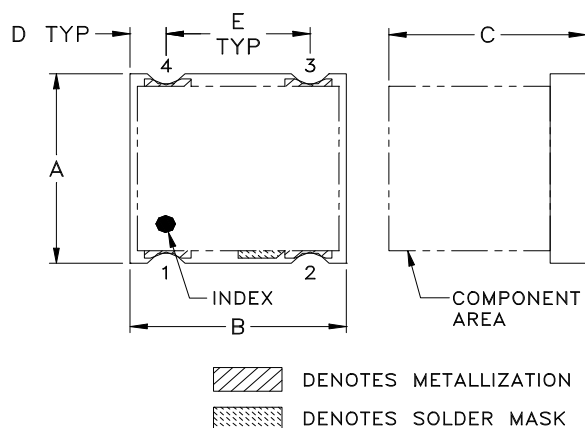
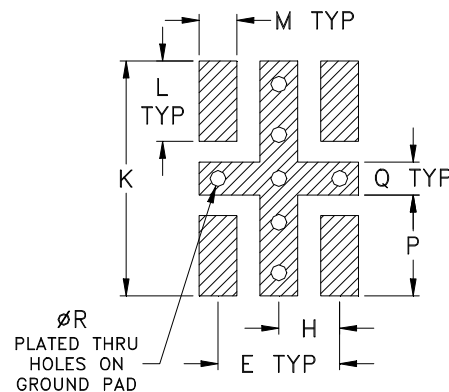


Outline Dimensions

GU1414-2



PCB Land Pattern



Suggested Layout,
Tolerance to be within ± 0.002

CASE #	A	B	C	D	E	F	G	H	J	K	L
GU1414-2	.150 (3.81)	.150 (3.81)	.14 (3.56)	.025 (.64)	.100 (2.54)	.043 (1.09)	.030 (.76)	.050 (1.27)	.087 (2.21)	.193 (4.90)	.066 (1.68)

CASE #	M	N	P	Q	R	WT.GRAMS
GU1414-2	.031 (.79)	-	.083 (2.11)	.027 (.69)	.013 (.33)	.06

Dimensions are in inches (mm). Tolerances: 2 Pl. $\pm .01$; 3 Pl. $\pm .005$

Notes:

1. Case material: Plastic.
2. Termination finish: 3-5 μ inch Gold over 120-240 μ inch Nickel Plate. All models (+) suffix.