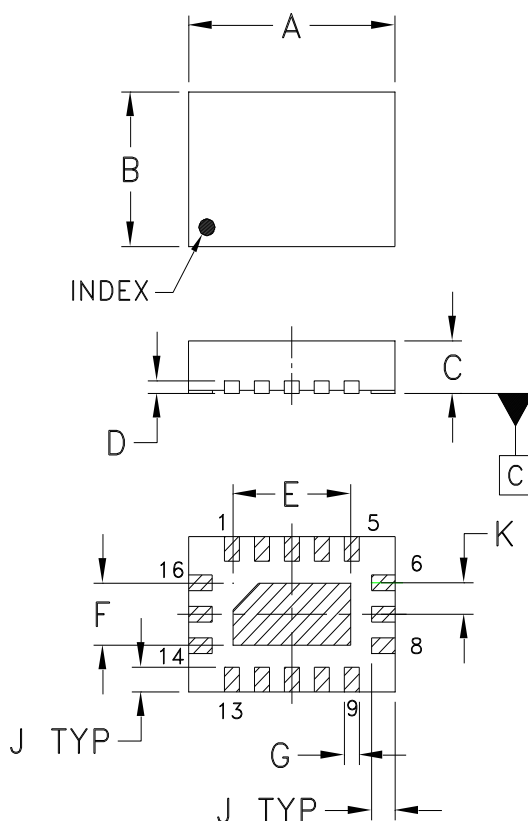
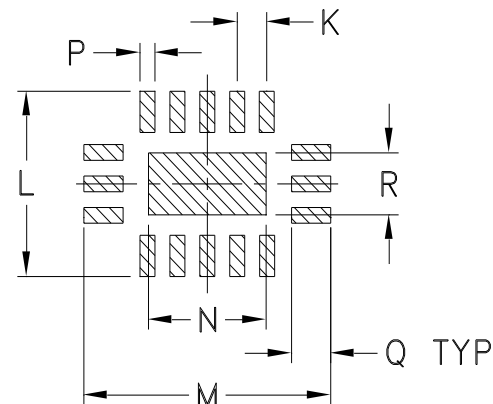


Outline Dimensions

JV2579



PCB Land Pattern



Suggested Layout,
Tolerance to be within ± 0.002

CASE #	A	B	C	D	E	F	G	H	J	K	L	M	N
JV2579	.138 (3.5)	.098 (2.5)	.033 (0.85)	.008 (0.20)	.079 (2.01)	.039 (0.99)	.010 (0.25)	-	.016 (0.41)	.020 (.51)	.118 (3.00)	.165 (4.19)	.079 (2.01)

CASE #	P	Q	R	WT. GRAM
JV2579	.010 (0.25)	.026 (0.66)	.039 (0.99)	.03

Dimensions are in inches (mm). Tolerances: 2 Pl. $\pm .01$; 3 Pl. $\pm .005$

Notes:

1. Case material: Plastic.
2. Termination finish: **as shown below or indicated on Data Sheet.**
For RoHS Case Styles: Matte-Tin plate.



P.O. Box 350166, Brooklyn, New York 11235-0003 (718) 934-4500 Fax (718) 332-4661 For detailed performance specs & shopping online see Mini-Circuits web site



The Design Engineers Search Engine Provides ACTUAL Data Instantly From MINI-CIRCUITS At: www.minicircuits.com

RF/IF MICROWAVE COMPONENTS