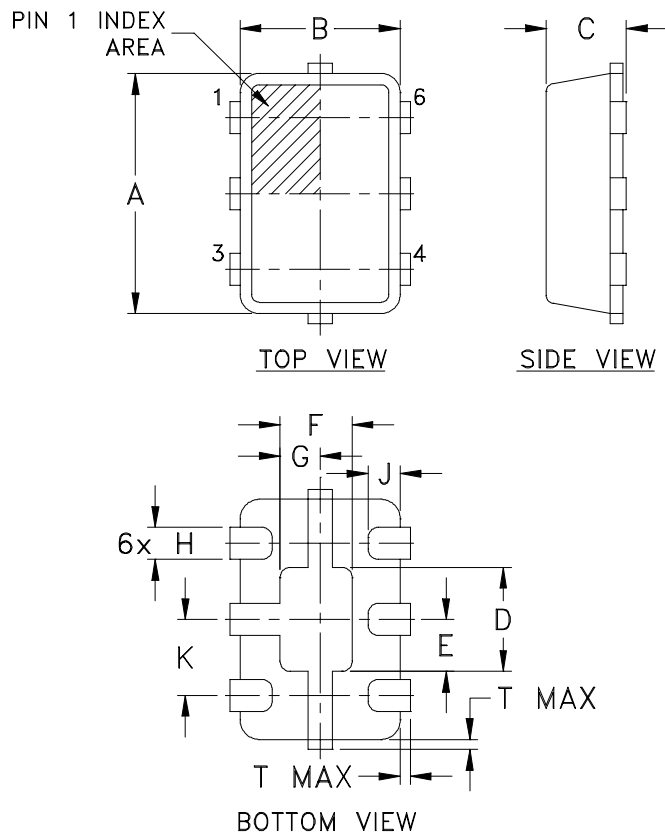
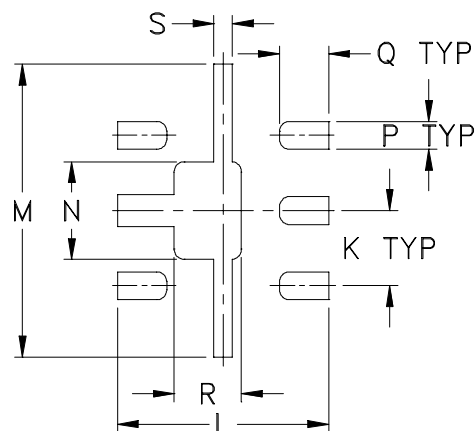


Outline Dimensions



PCB Land Pattern



Suggested Layout,
Tolerance to be within $\pm .002$

CASE#	A	B	C	D	E	F	G	H	J	K	L	M	N
JZ1436	.118 (3.00)	.079 (2.00)	.035 (.89)	.048 (1.22)	.024 (.61)	.033 (.84)	.024 (.61)	.015 (.38)	.013 (.33)	.037 (.94)	.104 (2.64)	.144 (3.66)	.048 (1.22)

CASE#	P	Q	R	S	T	WT, GRAM
JZ1436	.014 (.36)	.024 (.61)	.033 (.84)	.009 (.23)	.005 (.125)	.015

Dimensions are in inches (mm). Tolerances: 2 Pl. $\pm .01$; 3 Pl. $\pm .005$

Notes:

- Case material: Plastic.
- Termination finish:
For RoHS Case Styles: Matte Tin plate.



INTERNET <http://www.minicircuits.com>

P.O. Box 350166, Brooklyn, New York 11235-0003 (718) 934-4500 Fax (718) 332-4661

Distribution Centers NORTH AMERICA 800-654-7949 • 417-335-5935 • Fax 417-335-5945 • EUROPE 44-1252-832600 • Fax 44-1252-837010

Mini-Circuits ISO 9001 & ISO 14001 Certified