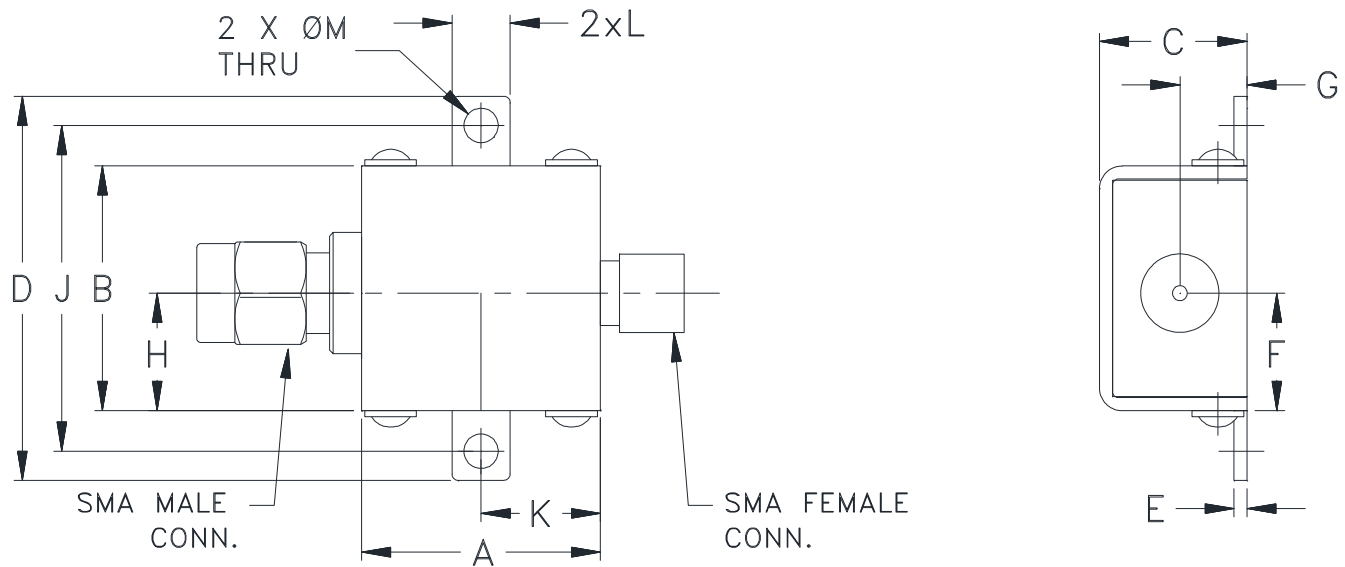


### Outline Dimensions



CASE #.	A	B	C	D	E	F	G	H	J	K	L	M
KE1467	.74 (18.80)	.75 (19.05)	.46 (11.68)	1.18 (29.97)	.04 (1.02)	.362 (9.19)	.21 (5.33)	.362 (9.19)	1.00 (25.40)	.37 (9.40)	.18 (4.57)	.11 (2.79)

CASE #.	WT. GRAM
KE1467	24.4

Dimensions are in inches (mm). Tolerances: 2Pl.  $\pm .03$ ; 3Pl.  $\pm .015$

Tolerance on hole size and interaxes dimensions to be  $\pm .005$ .

#### Note:

1. Case material: Brass
2. Case finish: Gold
3. Cover: Nickel plated.



INTERNET <http://www.minicircuits.com>

P.O. Box 350166, Brooklyn, New York 11235-0003 (718) 934-4500 Fax (718) 332-4661

Distribution Centers NORTH AMERICA 800-654-7949 • 417-335-5935 • Fax 417-335-5945 • EUROPE 44-1252-832600 • Fax 44-1252-837010

Mini-Circuits ISO 9001 & ISO 14001 Certified