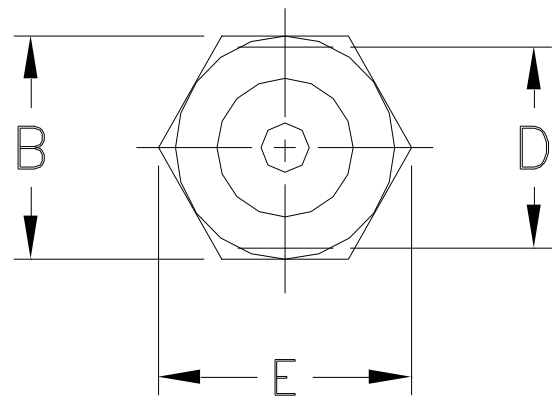
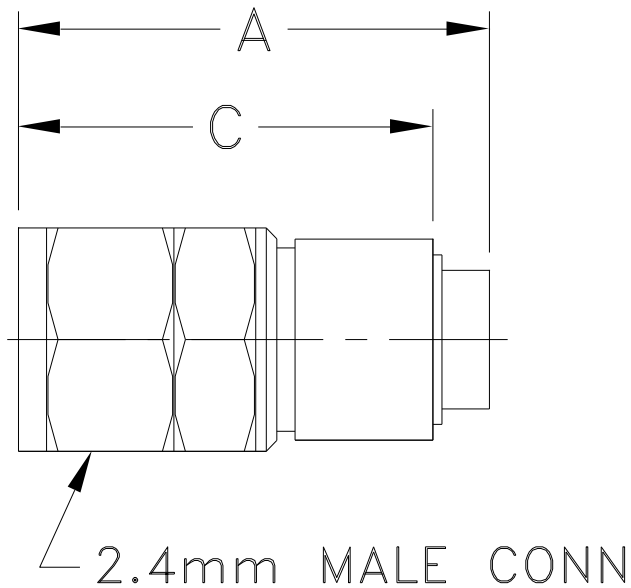


# Case Style

# LL

## Outline Dimensions

## LL2539



CASE #	A	B	C	D	E	WT. GRAM
LL2539	.67 (17.02)	.312 (8.00)	.59 (14.97)	.281 (7.14)	.36 (9.14)	4.4

Dimensions are in inches (mm). Tolerances: 2Pl.  $\pm .030$ ; 3Pl.  $\pm .015$

### Notes:

1. Case material: Stainless Steel.
2. Case Finish: Passivated.



P.O. Box 350166, Brooklyn, New York 11235-0003 (718) 934-4500 Fax (718) 332-4661 For detailed performance specs & shopping online see Mini-Circuits web site



The Design Engineers Search Engine Provides ACTUAL Data Instantly From MINI-CIRCUITS At: [www.minicircuits.com](http://www.minicircuits.com)

RF/IF MICROWAVE COMPONENTS