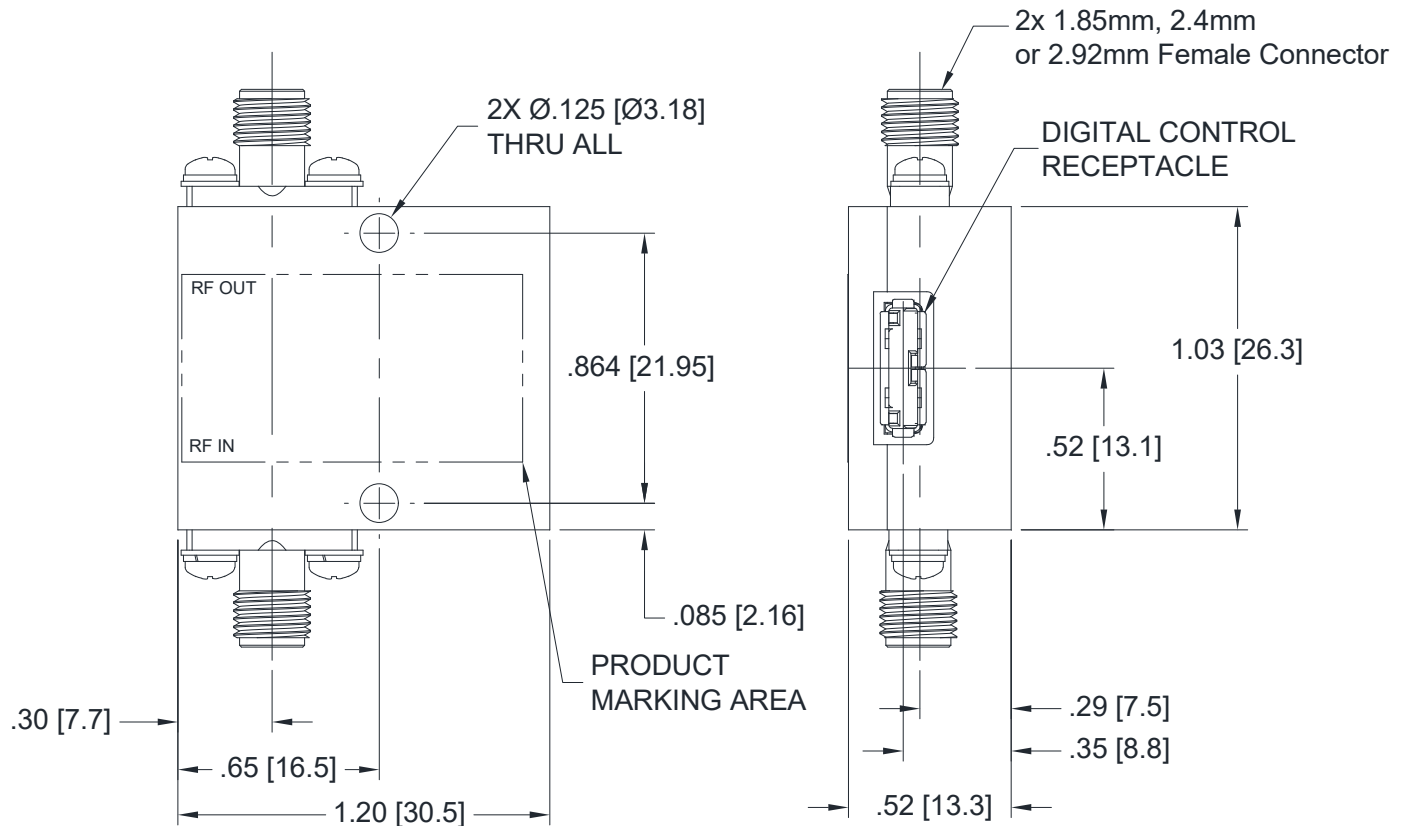


# Case Style

# MS

## Outline Dimensions

### MS3009



Weight: 45.36 grams

**Dimensions are in inches (mm). Tolerances: 2Pl. ± .03; 3Pl. ± .015**

### Notes:

1. Case material: Brass Alloy.
2. Case finish: Gold plate.



P.O. Box 350166, Brooklyn, New York 11235-0003 (718) 934-4500 Fax (718) 332-4661 For detailed performance specs & shopping online see Mini-Circuits web site



The Design Engineers Search Engine Provides ACTUAL Data Instantly From MINI-CIRCUITS At: [www.minicircuits.com](http://www.minicircuits.com)

RF/IF MICROWAVE COMPONENTS