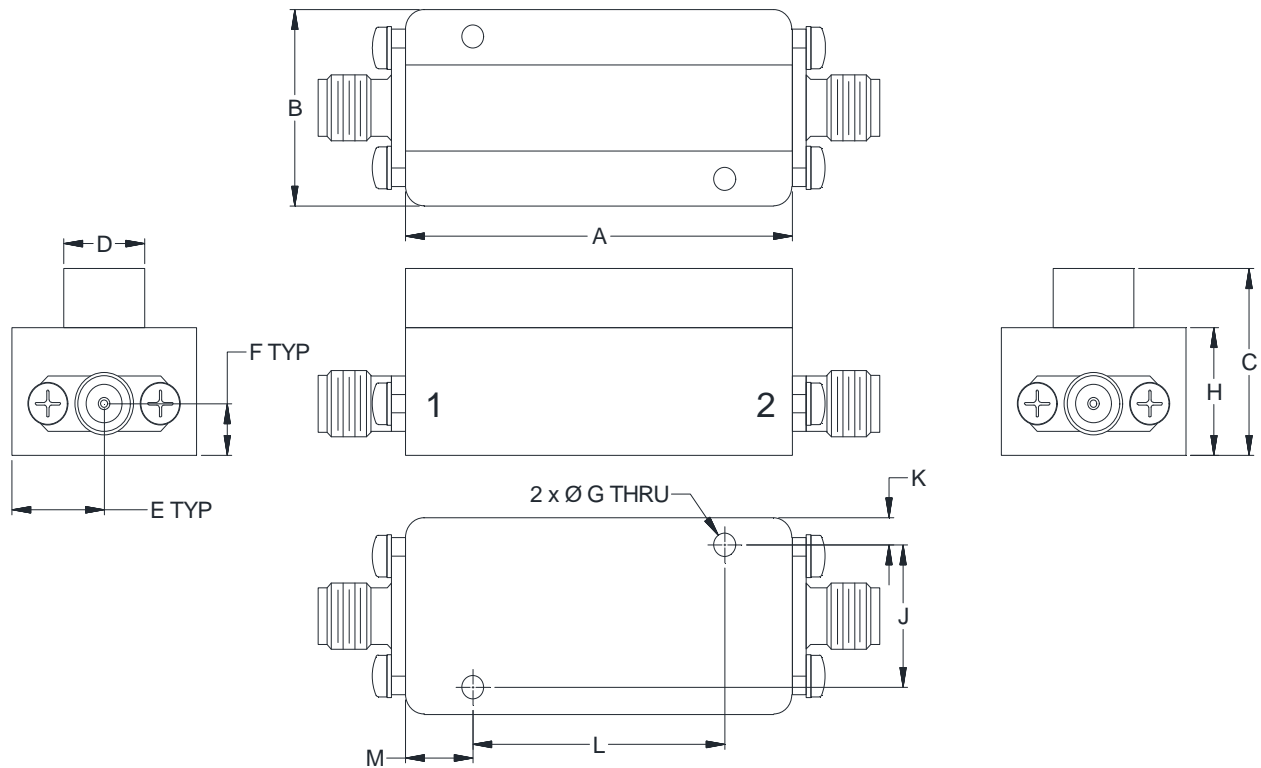


Outline Dimensions

PV2184



CASE#	A	B	C	D	E	F	G	H	J
PV2184	1.65 (41.92)	.79 (20.00)	.75 (19.00)	.34 (8.75)	.39 (10.00)	.21 (5.25)	.095 (2.40)	.51 (13.00)	.571 (14.50)

CASE#	K	L	M	WT. GRAMS
PV2184	.11 (2.75)	1.075 (27.31)	.29 (7.31)	78

Dimensions are in inches (mm). Tolerances: 2 Pl. $\pm .03$; 3 Pl. $\pm .015$

Notes:

1. Case material: Brass & Aluminum alloy.
2. Case finish: Powder coated.
3. Refer to the individual model data sheet for the type of connectors available.

Mini-Circuits®
ISO 9001 ISO 14001 CERTIFIED

ALL NEW
minicircuits.com

P.O. Box 350166, Brooklyn, New York 11235-0003 (718) 934-4500 Fax (718) 332-4661 For detailed performance specs & shopping online see Mini-Circuits web site



The Design Engineers Search Engine Provides ACTUAL Data Instantly From MINI-CIRCUITS At: www.minicircuits.com

RF/IF MICROWAVE COMPONENTS