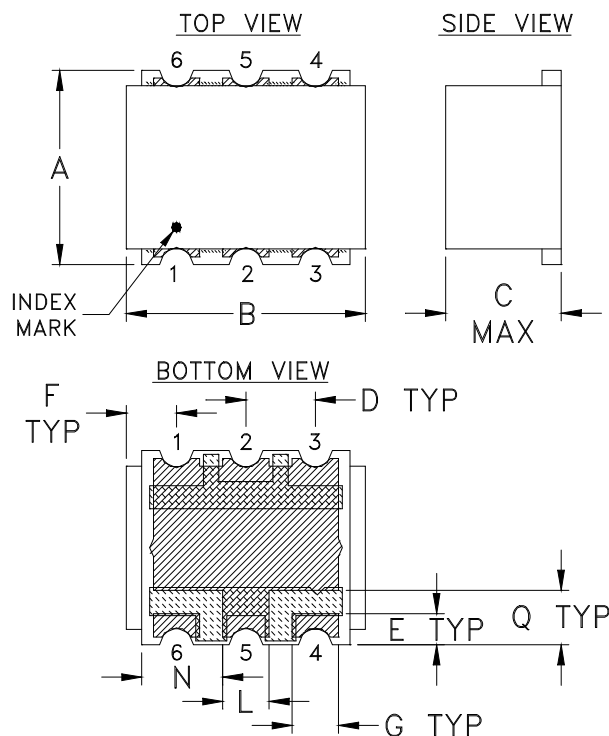
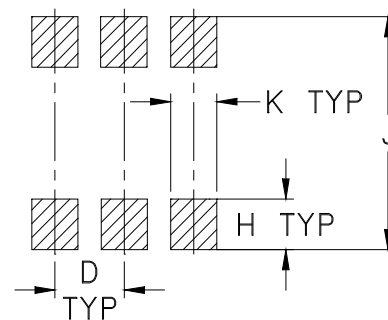



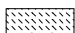
Outline Dimensions



PCB Land Pattern



Suggested Layout,
Tolerance to be within $\pm .002$

 METALLIZATION
 SOLDER RESIST

CASE #	A	B	C	D	E	F	G	H	J	K	L	M
TT1423	.25 (6.35)	.31 (7.87)	.15 (3.81)	.090 (2.29)	.040 (1.02)	.065 (1.65)	.060 (1.52)	.065 (1.65)	.300 (7.62)	.060 (1.52)	.060 (1.52)	- -

CASE #	N	P	Q	WT. GRAM
TT1423	.105 (2.67)	- -	.070 (1.78)	.50

Dimensions are in inches (mm). Tolerances: 2Pl. $\pm .01$; 3 Pl. $\pm .005$

Notes:

- Case material: Plastic.
- Terminations: 2-10 μ inch (.05-.25 microns) Gold over 100-300 μ inch (2.54-7.62 microns) Nickel plate.



P.O. Box 350166, Brooklyn, New York 11235-0003 (718) 934-4500 Fax (718) 332-4661 For detailed performance specs & shopping online see Mini-Circuits web site



The Design Engineers Search Engine Provides ACTUAL Data Instantly From MINI-CIRCUITS At: www.minicircuits.com

RF/IF MICROWAVE COMPONENTS