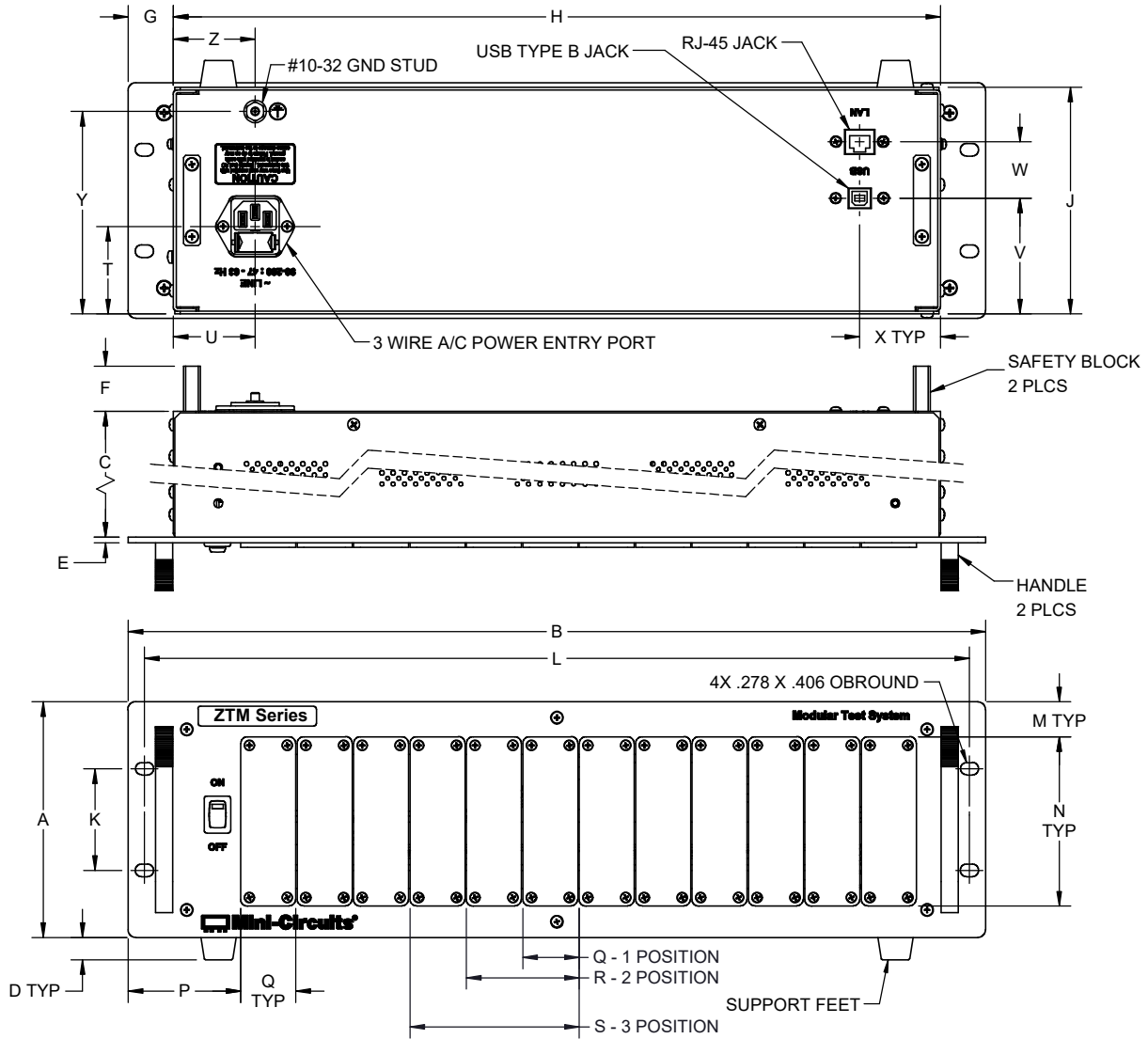


Outline Dimensions

YD2861



CASE #	A	B	C	D	E	F	G	H	J	K	L	M	N
YD2861	5.22 (132.6)	19.00 (482.6)	13.00 (330.2)	.49 (12.4)	.13 (3.3)	1.00 (25.4)	1.00 (25.4)	17.00 (431.8)	5.02 (127.5)	2.250 (57.15)	18.280 (464.31)	.78 (19.8)	3.75 (95.3)

CASE #	P	Q	R	S	T	U	V	W	X	Y	Z	WT, GRAMS
YD2861	2.50 (63.5)	1.22 (31.0)	2.47 (62.7)	3.72 (94.5)	1.94 (49.3)	1.81 (46.0)	2.56 (65.0)	1.25 (31.8)	1.79 (45.5)	4.49 (114.0)	1.81 (46.0)	4535

Dimensions are in inches (mm) . Tolerances: 2 Pl. \pm .03; 3 Pl. \pm .015

Notes:

1. Case material: Aluminum alloy.
2. Finish: Clear chemical conversion coating



P.O. Box 350166, Brooklyn, New York 11235-0003 (718) 934-4500 Fax (718) 332-4661 For detailed performance specs & shopping online see Mini-Circuits web site

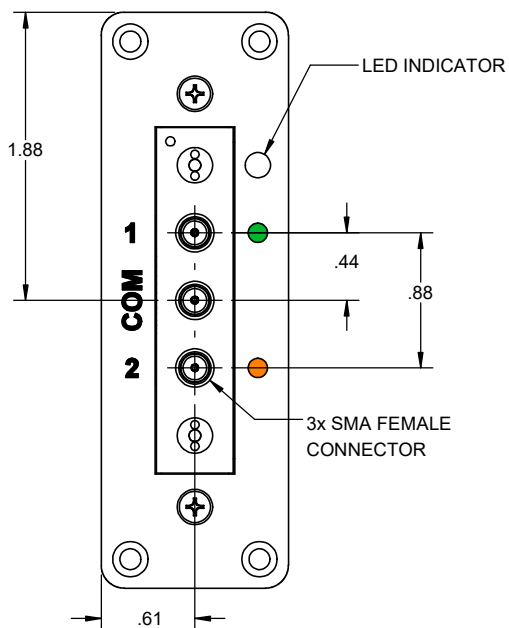


The Design Engineers Search Engine Provides ACTUAL Data Instantly From MINI-CIRCUITS At: www.minicircuits.com

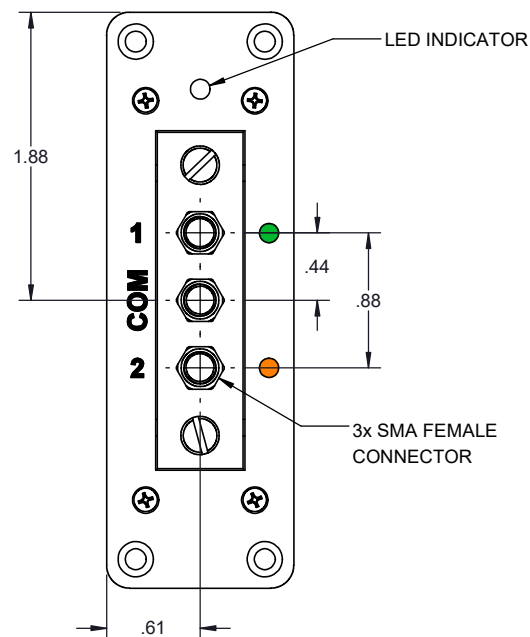
RF/IF MICROWAVE COMPONENTS

SPDT Switch Options:

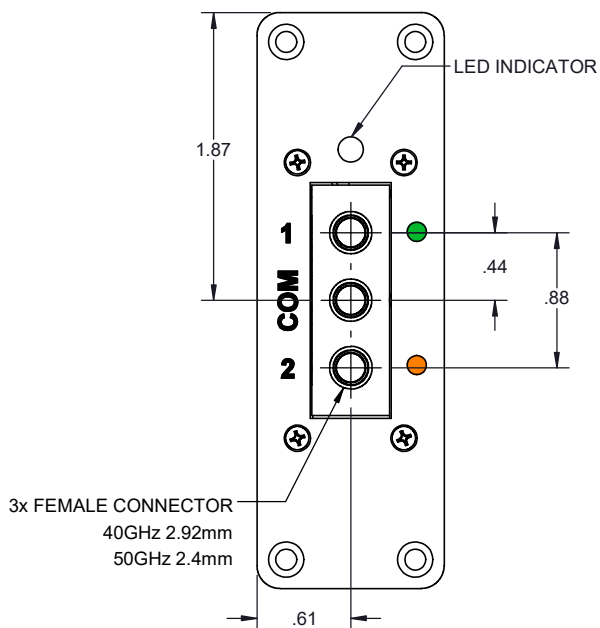
YD2861



SPDTA 18GHz



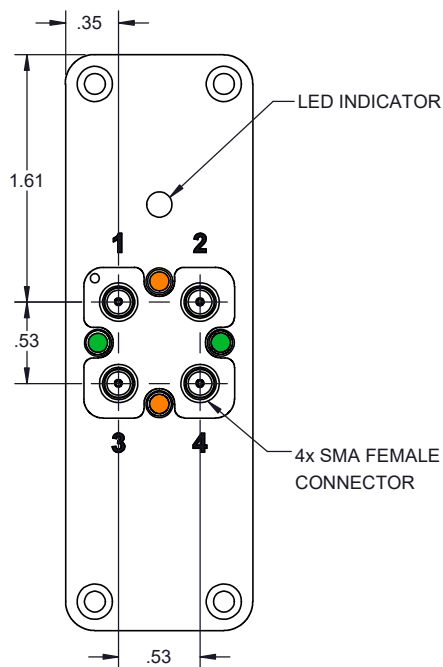
SPDTA 26GHz



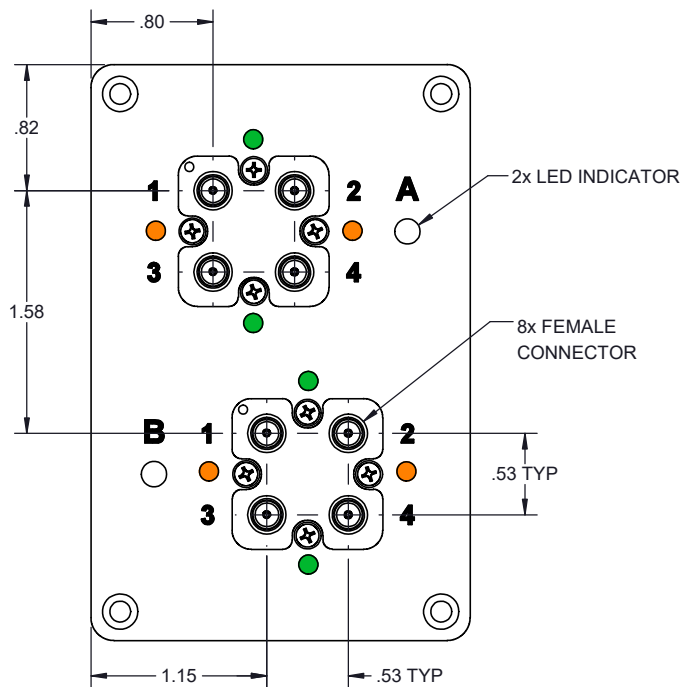
SPDT 40GHz
SPDT 50GHz

MTS (Transfer) Switch Options:

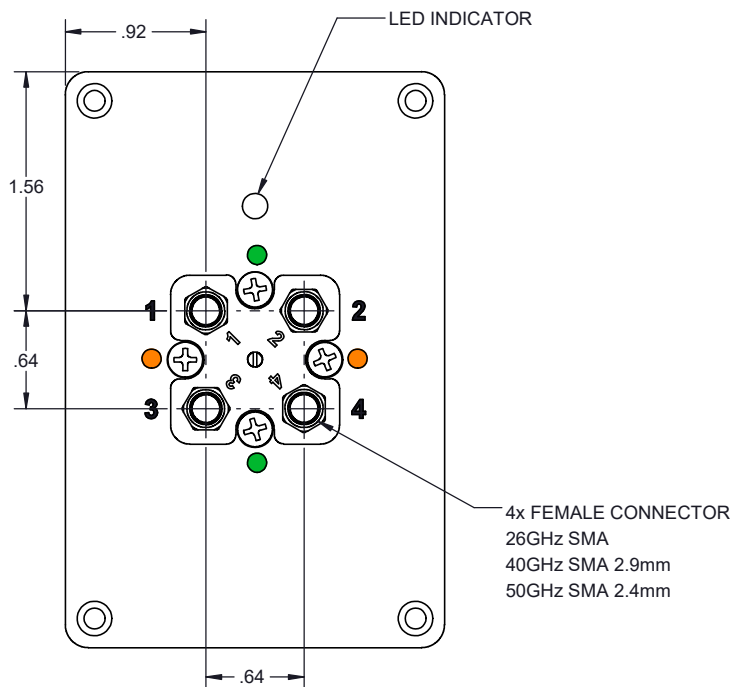
YD2861



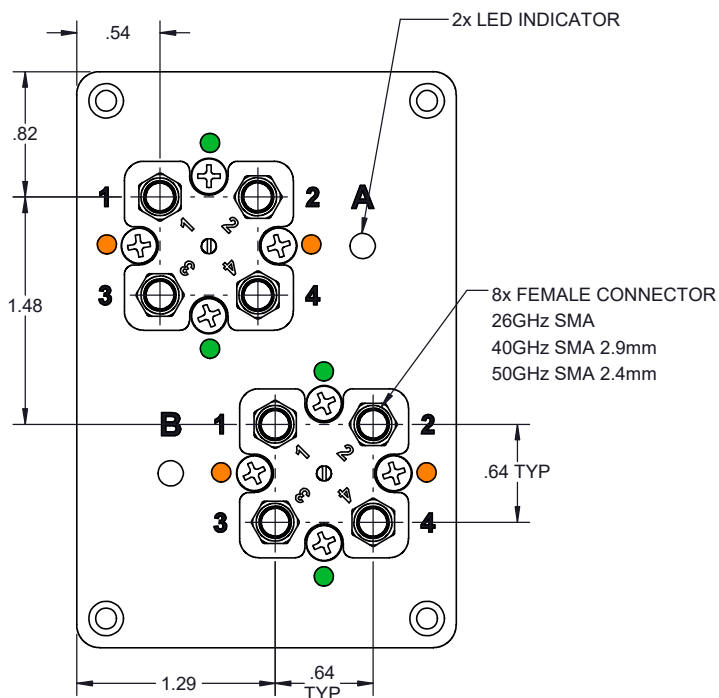
MTS 18GHz



MTS 18GHz



MTS 26GHz
MTS 40GHz
MTS 50GHz



MTS 26GHz
MTS 40GHz
MTS 50GHz

Mini-Circuits®
ISO 9001 ISO 14001 CERTIFIED

ALL NEW
minicircuits.com

P.O. Box 350166, Brooklyn, New York 11235-0003 (718) 934-4500 Fax (718) 332-4661 For detailed performance specs & shopping online see Mini-Circuits web site

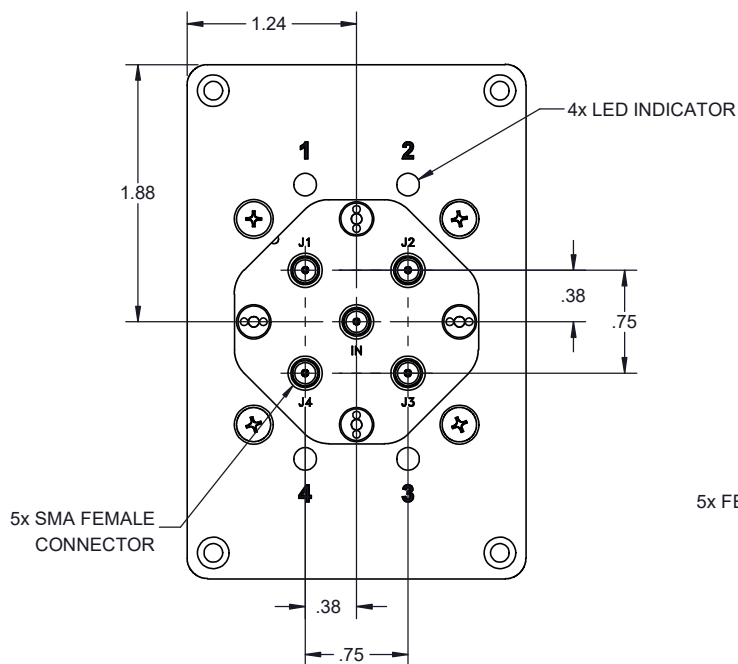


The Design Engineers Search Engine Provides ACTUAL Data Instantly From MINI-CIRCUITS At: www.minicircuits.com

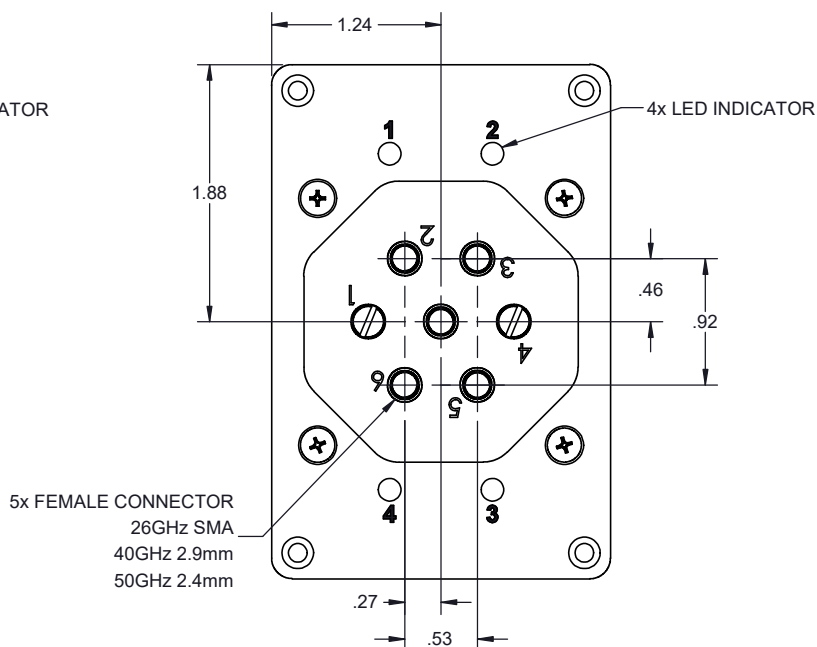
RF/IF MICROWAVE COMPONENTS

SP4T and SP6T Switch Options:

YD2861

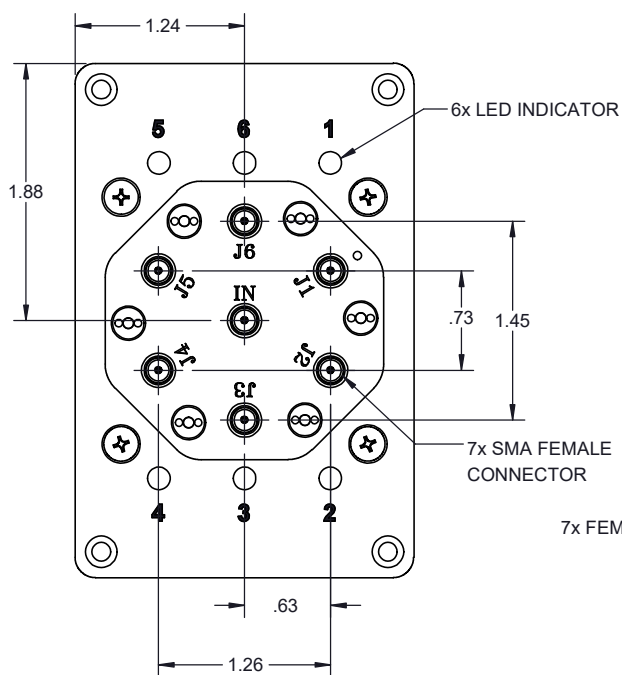


SP4TA 18GHz

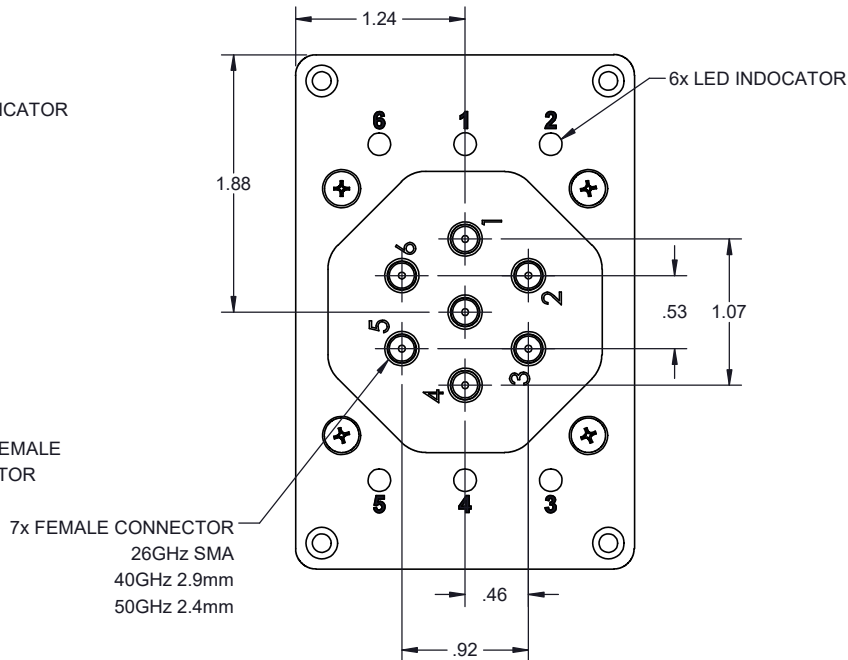


5x FEMALE CONNECTOR
26GHz SMA
40GHz 2.9mm
50GHz 2.4mm

SP4TA 26GHz
SP4TA 40GHz
SP4TA 50GHz



SP6TA 12GHz
SP6TA 18GHz



7x FEMALE CONNECTOR
26GHz SMA
40GHz 2.9mm
50GHz 2.4mm

SP6TA 26GHz
SP6TA 40GHz
SP6TA 50GHz



P.O. Box 350166, Brooklyn, New York 11235-0003 (718) 934-4500 Fax (718) 332-4661 For detailed performance specs & shopping online see Mini-Circuits web site

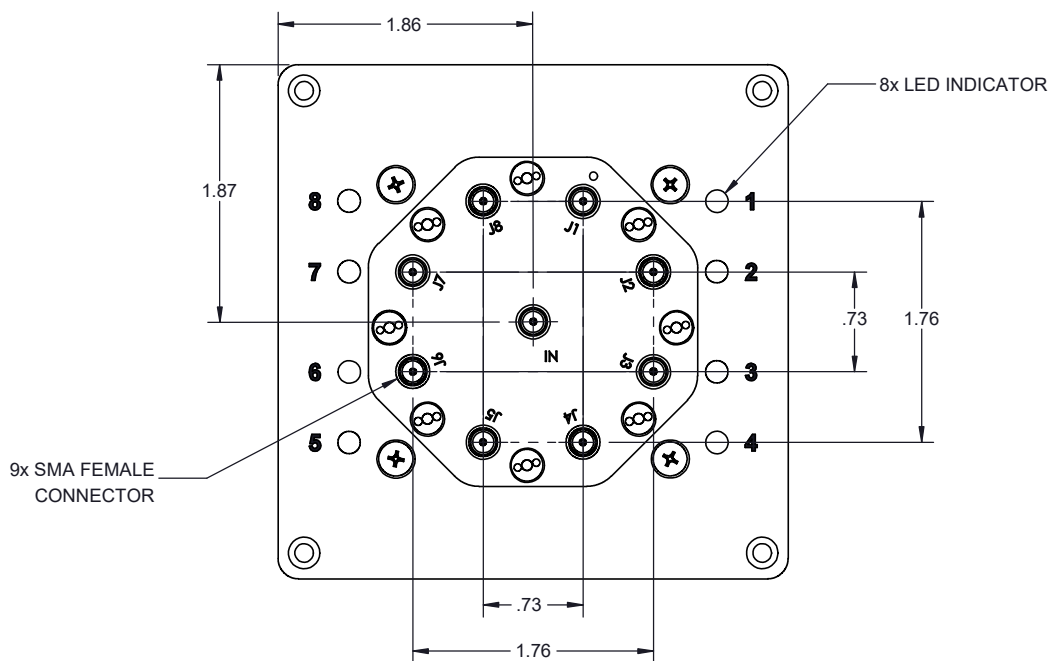


The Design Engineers Search Engine Provides ACTUAL Data Instantly From MINI-CIRCUITS At: www.minicircuits.com

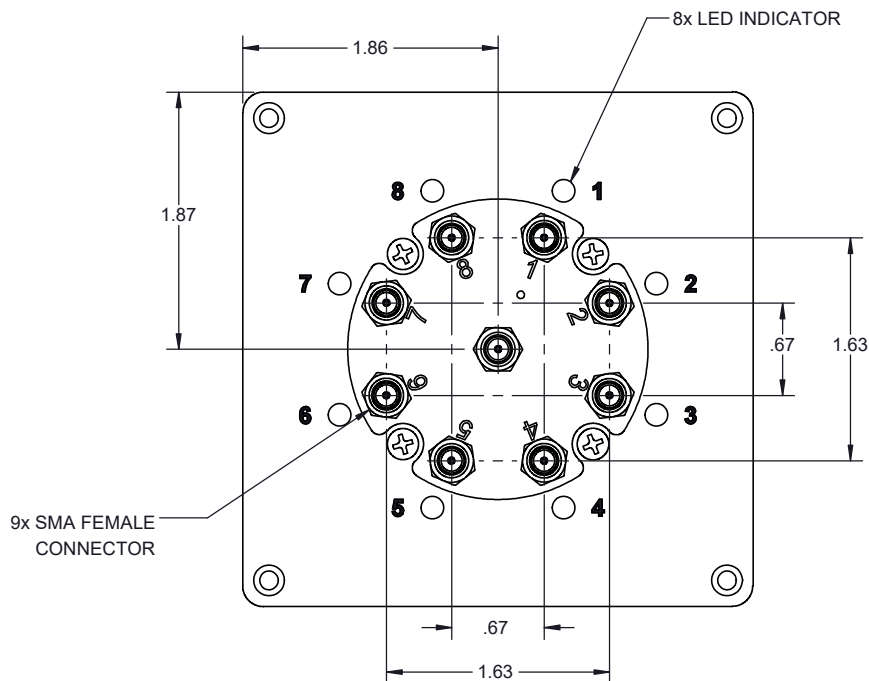
RF/IF MICROWAVE COMPONENTS

SP8T Switch Options:

YD2861



SP8TA 12GHz



SP8TA 18GHz
SP8TA 26GHz

Mini-Circuits®
ISO 9001 ISO 14001 CERTIFIED

ALL NEW
minicircuits.com

P.O. Box 350166, Brooklyn, New York 11235-0003 (718) 934-4500 Fax (718) 332-4661 For detailed performance specs & shopping online see Mini-Circuits web site



The Design Engineers Search Engine Provides ACTUAL Data Instantly From MINI-CIRCUITS At: www.minicircuits.com

RF/IF MICROWAVE COMPONENTS