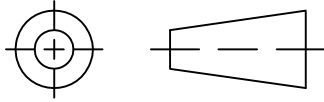


THIRD ANGLE PROJECTION

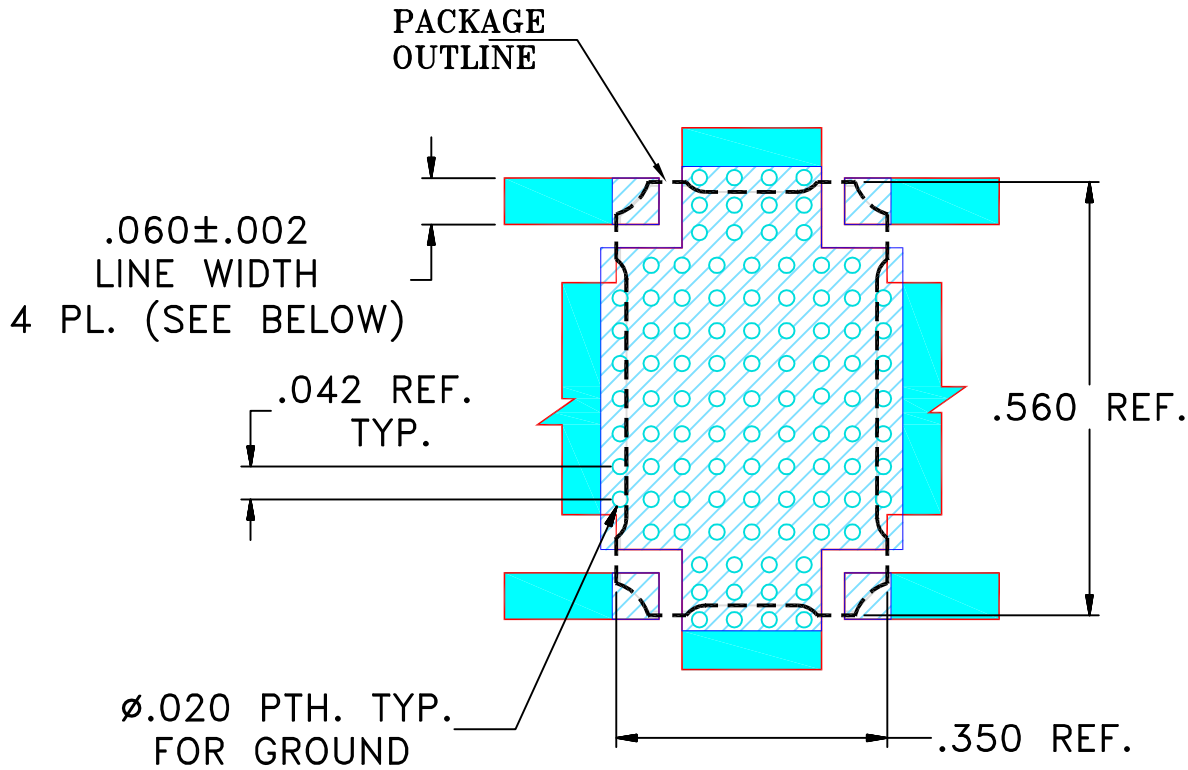


REVISIONS

REV	ECN No.	DESCRIPTION	DATE	DR	AUTH
OR	M163111	NEW RELEASE	10/17	YS	YB
OR	R92246	NEW RELEASE	10/17	YS	YB

SUGGESTED MOUNTING CONFIGURATION

FOR PQ2186 CASE STYLE 04DC01 PIN CONNECTION, 50 OHM



NOTES:

- TRACE WIDTH IS SHOWN FOR ROGERS RT/DUROID 5880 WITH DIELECTRIC THICKNESS. $.020 \pm .0015$ ". COPPER: 1 OZ. EACH SIDE.
FOR OTHER MATERIALS TRACE WIDTH MAY NEED TO BE MODIFIED.
- BOTTOM SIDE OF THE PCB IS CONTINUOUS GROUND PLANE.

DENOTES PCB COPPER LAYOUT WITH SMOBC (SOLDER MASK OVER BARE COPPER)

DENOTES COPPER LAND PATTERN FREE OF SOLDERMASK

UNLESS OTHERWISE SPECIFIED

INITIALS DATE

DIMENSIONS ARE IN INCHES
TOLERANCES ON:
2 PL DECIMALS ±
3 PL DECIMALS ± .005
ANGLES ±
FRACTIONS ±

DRAWN	YS (RAVON)	02 OCT 17
CHECKED	HH (RAVON)	02 OCT 17
APPROVED	YB (RAVON)	02 OCT 17



Mini-Circuits® 13 Neptune Avenue
Brooklyn NY 11235

PL FOR QCH PQ2186
TB-906 (50 Ω)

SIZE A	CODE IDENT 15542	DRAWING NO: 98-PL-528	REV: OR
FILE: 98PL528(OR)	SCALE: 4:1	SHEET: 1 OF 1	

Mini-Circuits®
THIS DOCUMENT AND ITS CONTENTS ARE THE PROPERTY OF MINI-CIRCUITS. EXCEPT FOR USE EXPRESSLY GRANTED, IN WRITING, TO ITS VENDORS, VENDEE AND THE UNITED STATES GOVERNMENT, MINI-CIRCUITS RESERVES ALL PROPRIETARY DESIGN, USE, MANUFACTURING AND REPRODUCTION RIGHTS THERETO. THESE CONTENTS SHALL NOT BE USED, DUPLICATED OR DISCLOSED TO ANY OUTSIDE PARTY, IN WHOLE OR IN PART, WITHOUT WRITTEN PERMISSION OF MINI-CIRCUITS.