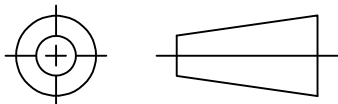


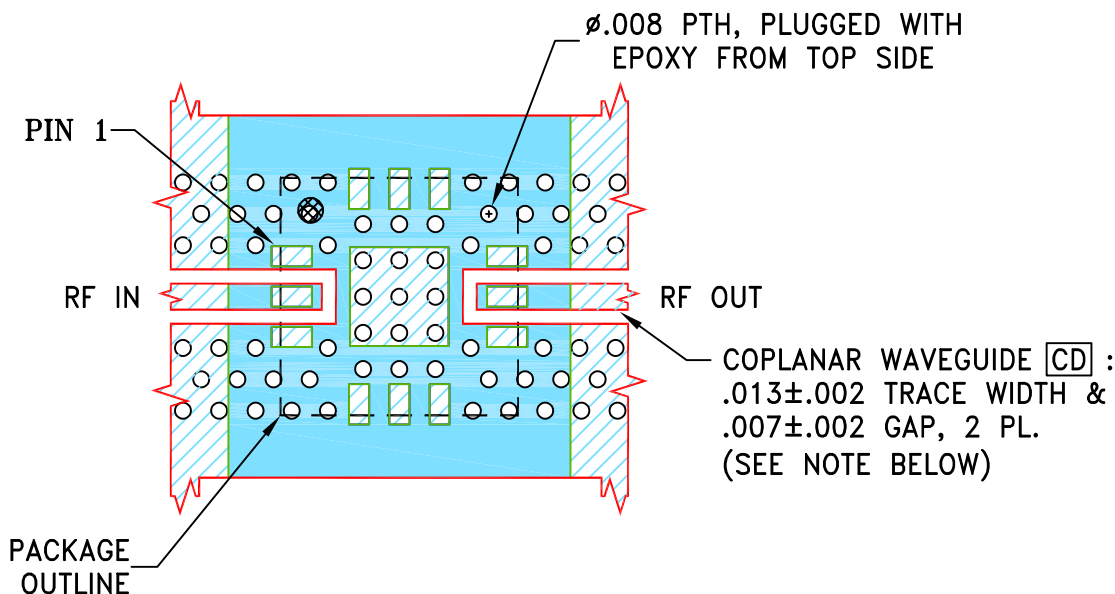
THIRD ANGLE PROJECTION



REVISIONS

REV	ECN No.	DESCRIPTION	DATE	DR	AUTH
OR	ECO-019660	NEW RELEASE	10/25/23	ITG	IL

SUGGESTED MOUNTING CONFIGURATION FOR  
DQ1225 CASE STYLE

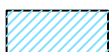


NOTES:

1. TRACE WIDTH AND GAP ARE SHOWN FOR ROGERS RO4350B, DIELECTRIC THICKNESS .0066"; COPPER: 1/2 OZ. EACH SIDE.  
FOR OTHER MATERIALS TRACE WIDTH AND GAP MAY NEED TO BE MODIFIED.
2. BOTTOM SIDE OF THE PCB IS CONTINUOUS GROUND PLANE.



DENOTES PCB COPPER LAYOUT WITH SMOBC (SOLDER MASK OVER BARE COPPER).



DENOTES COPPER LAND PATTERN FREE OF SOLDER MASK.

UNLESS OTHERWISE SPECIFIED	INITIALS		DATE
DIMENSIONS ARE IN INCHES	DRAWN	ITG	10/25/23
TOLERANCES ON:	CHECKED	GF	10/25/23
2 PL DECIMALS ±	APPROVED	IL	10/25/23
3 PL DECIMALS ± .005			
ANGLES ±			
FRACTIONS ±			



**Mini-Circuits<sup>®</sup>**

13 Neptune Avenue  
Brooklyn NY 11235

PL,DQ1225,TB-XLF-272MC+/272M+

SIZE A	CODE IDENT 15542	DRAWING NO: 98-PL-766	REV: OR
FILE: 98PL766	SCALE: 10:1	SHEET: 1 OF 1	

Mini-Circuits<sup>®</sup>

THIS DOCUMENT AND ITS CONTENTS ARE THE PROPERTY OF MINI-CIRCUITS. EXCEPT FOR USE EXPRESSLY GRANTED, IN WRITING, TO ITS VENDORS, VENDEE AND THE UNITED STATES GOVERNMENT, MINI-CIRCUITS RESERVES ALL PROPRIETARY DESIGN, USE, MANUFACTURING AND REPRODUCTION RIGHTS THERETO. THESE CONTENTS SHALL NOT BE USED, DUPLICATED OR DISCLOSED TO ANY OUTSIDE PARTY, IN WHOLE OR IN PART, WITHOUT WRITTEN PERMISSION OF MINI-CIRCUITS.