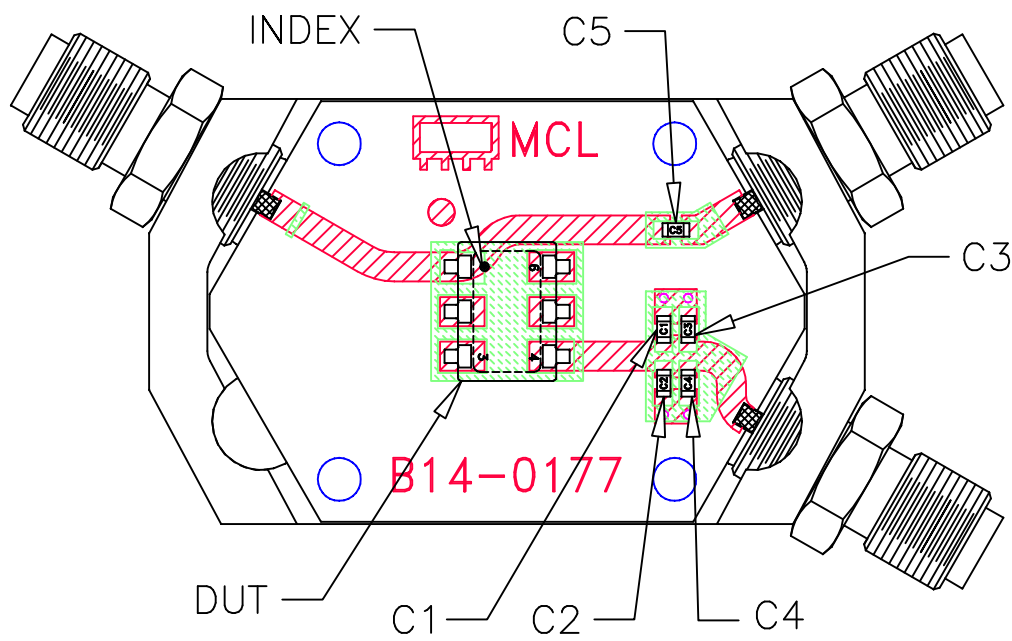
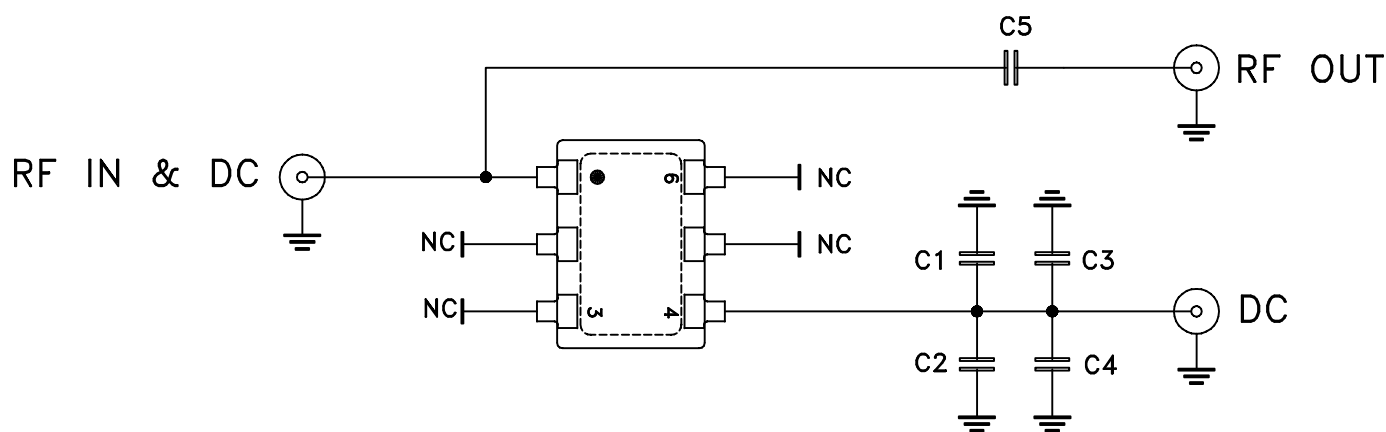


# Evaluation Board and Circuit



TB-1167+



COMPONENT	VALUE	SIZE
DUT	MCL ADCH-1220+	7.87X6.91 mm
C1,C2	Capacitor 82 pF	0603
C3,C4,C5	Capacitor .1uF	

## SCHEMATIC DIAGRAM

### Notes:

1. SMA Female connectors.
2. PCB Material: Rogers R04350 or equivalent, Dielectric Constant=3.5, Thickness=.030 inch.

 Mini-Circuits®