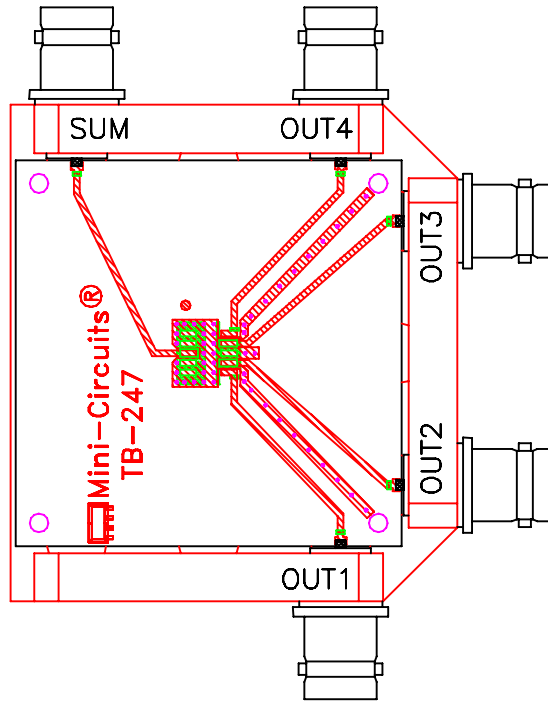
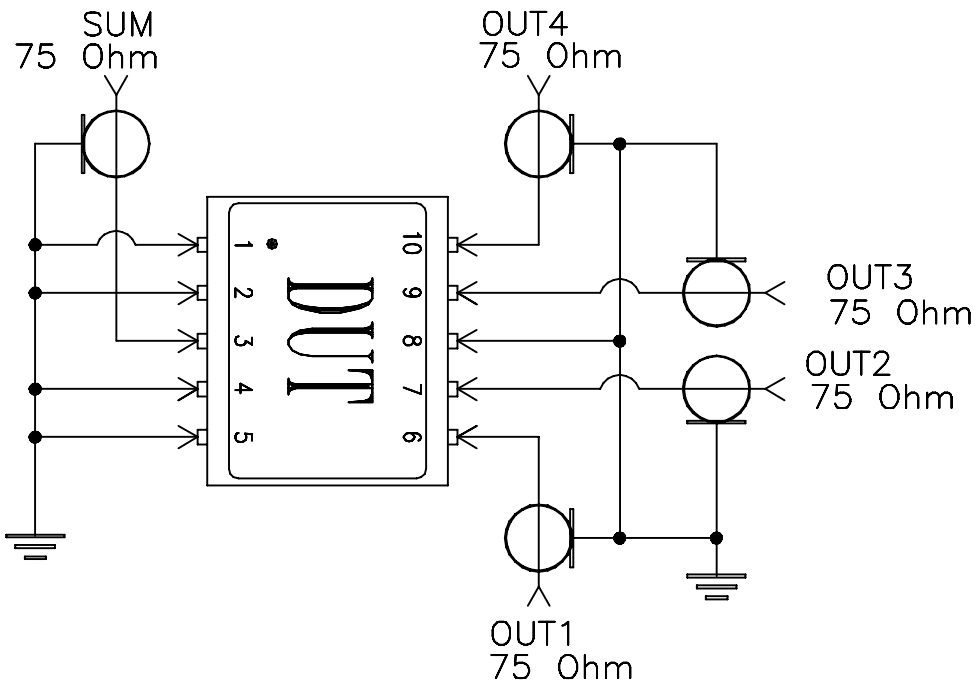


# Evaluation Board and Circuit




TB-247



Schematic Diagram

## Notes:

1. BNC Female connectors.
2. PCB Material: Rogers R04350 or equivalent,  
Dielectric Constant=3.5, Thickness=.030 inch.

 **Mini-Circuits®**