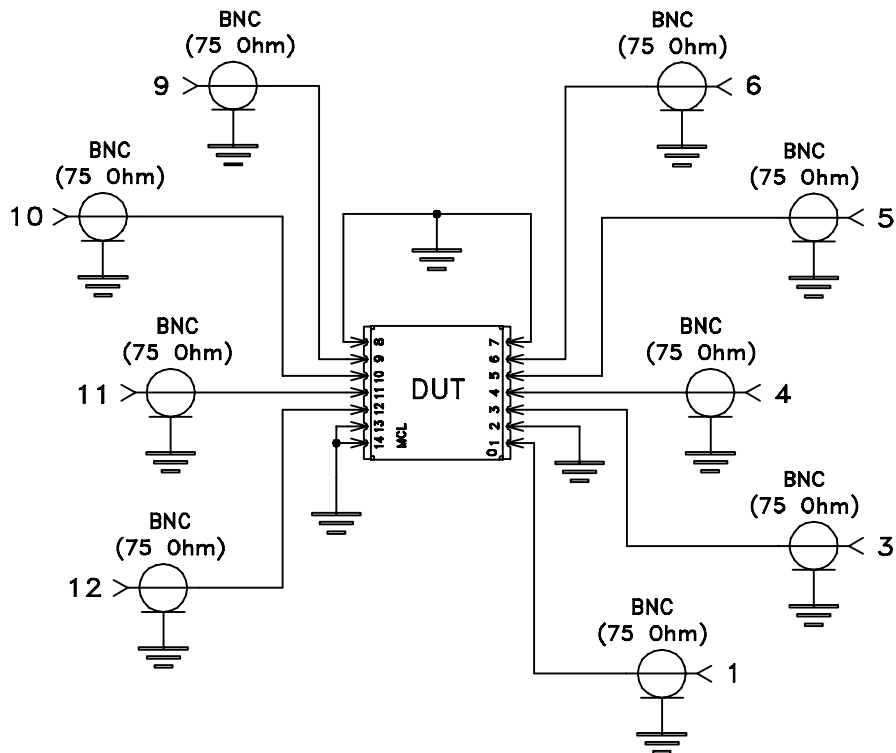
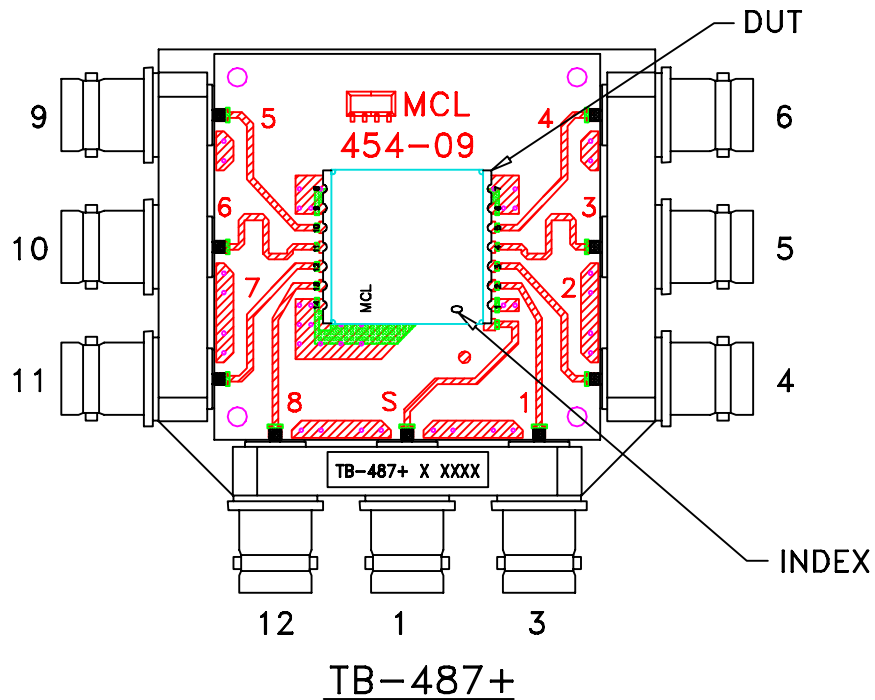


Evaluation Board and Circuit


For Pin Connections refer to Data Sheet of the DUT



Schematic Diagram

Notes:

1. 75 Ohm BNC Female connectors.
2. PCB Material: OAK or equivalent,
Dielectric Constant=2.5, Thickness=.022 inch.

 Mini-Circuits®