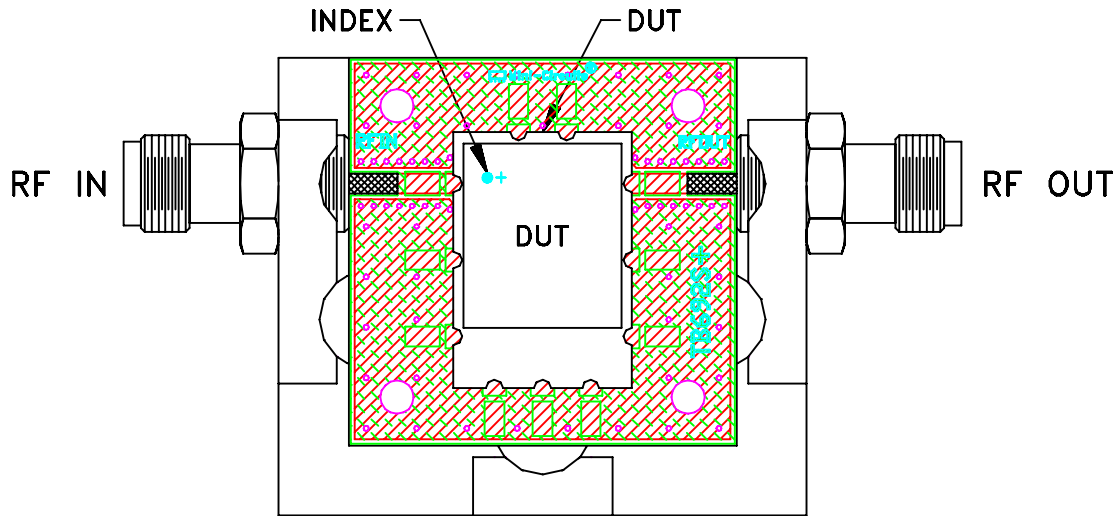
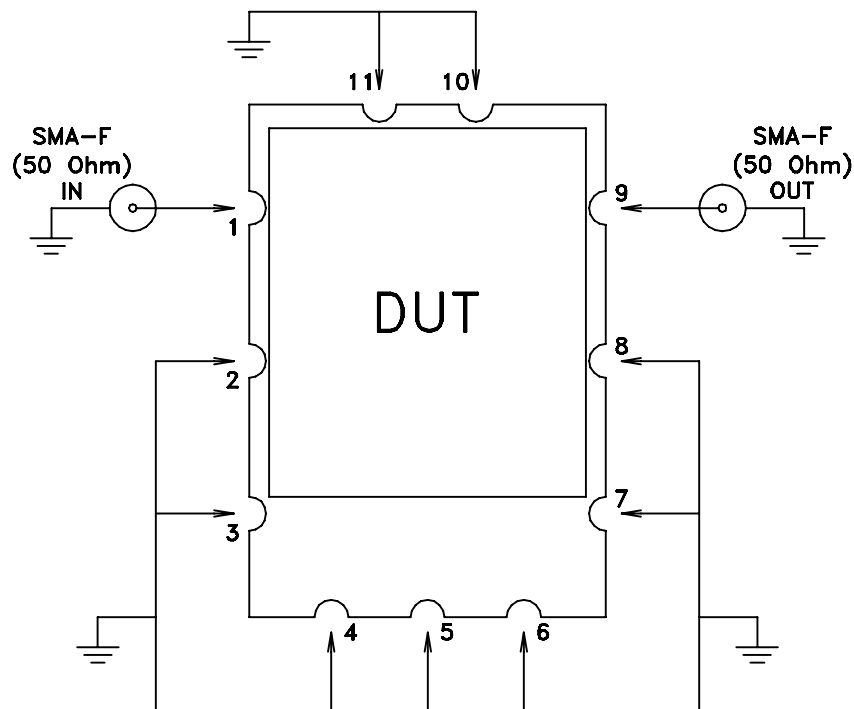


# Evaluation Board and Circuit




TB-692+



Schematic Diagram

**Notes:**

1. 50 Ohm SMA Female connectors.
2. PCB Material: ROGERS (R04350B) OR Equivalent  
Dielectric Constant= $3.48 \pm 0.05$ , Thickness= $.030$  inch.

 **Mini-Circuits®**