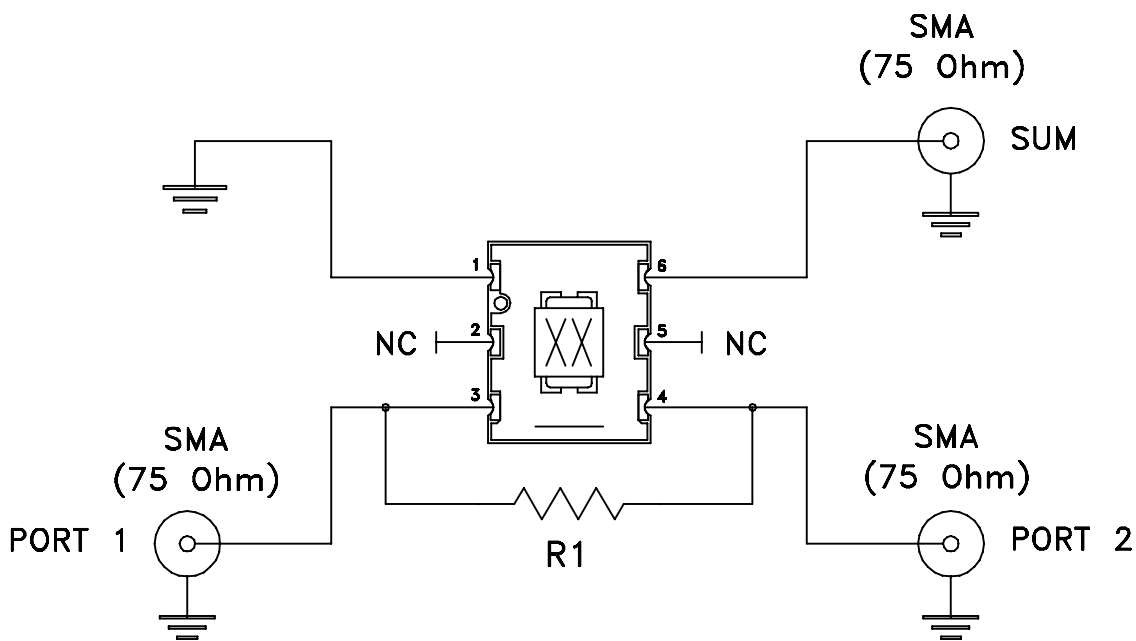
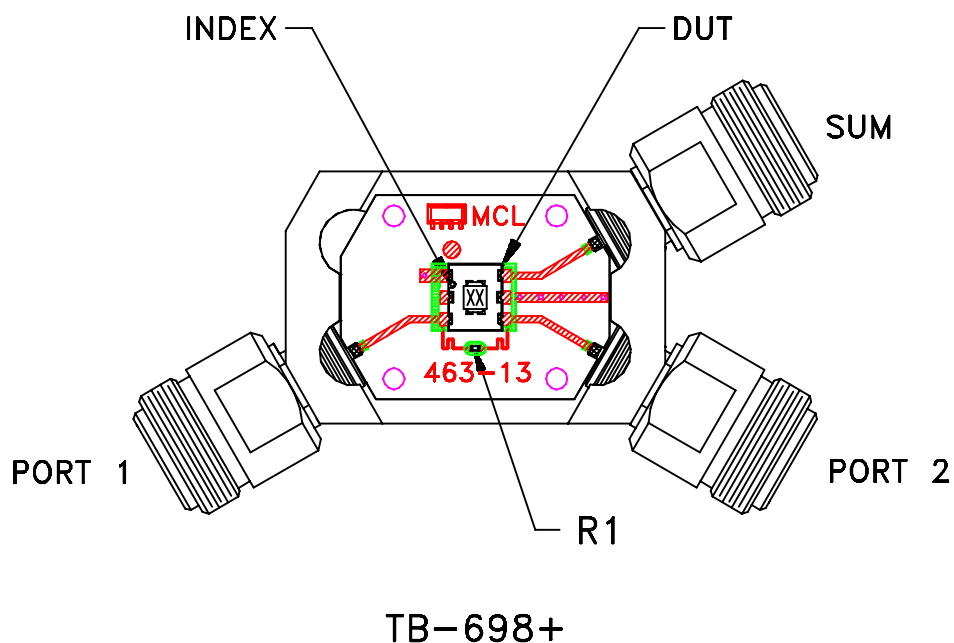


Evaluation Board and Circuit



Schematic Diagram

Notes:

1. 75 Ohm SMA Female connectors.
2. PCB Material: R04350 or equivalent,
Dielectric Constant=3.5, Thickness=.030 inch.

