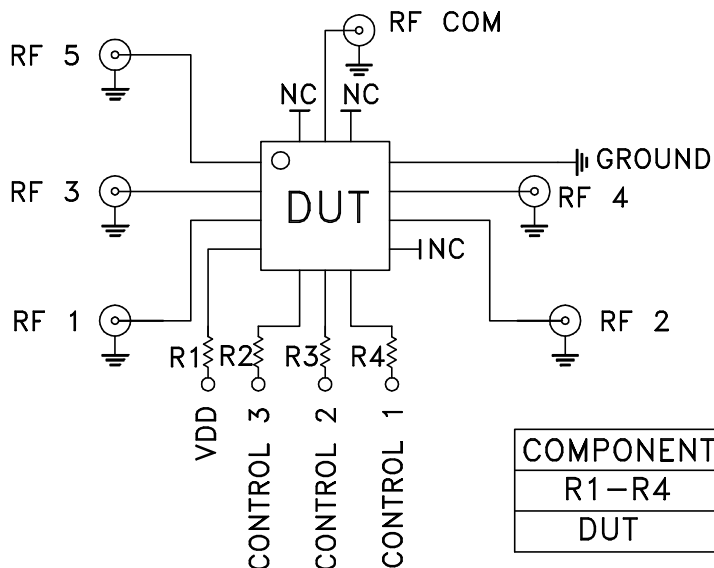
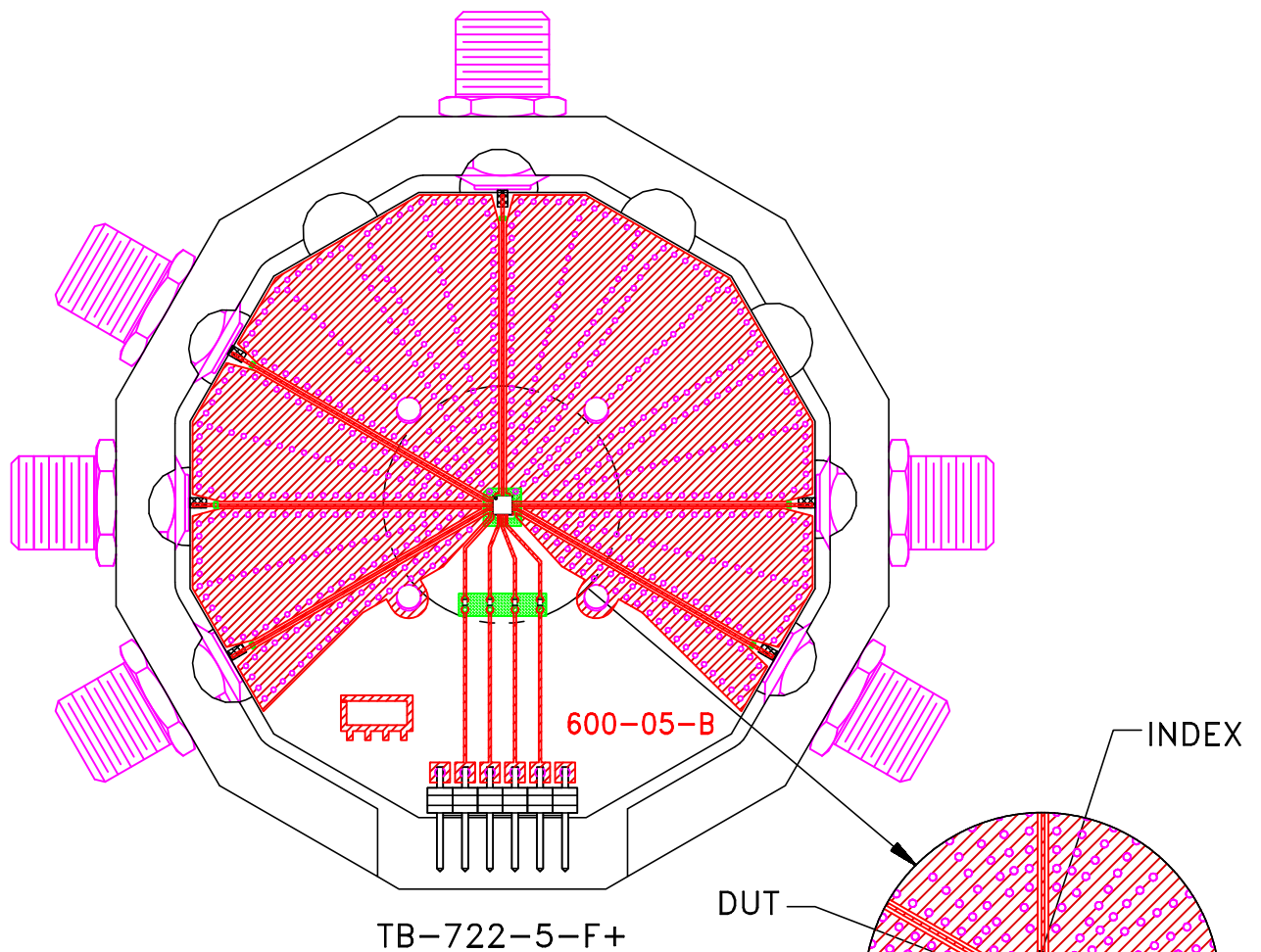


# Evaluation Board and Circuit




COMPONENT	VALUE/PART NUMBER	SIZE
R1-R4	1 kOhm	.04X.02"
DUT	JSW5-23DR-75+	.079X.079"

## Notes:

## Schematic Diagram

1. 75 Ohm "F"-type Female connectors.
2. PCB Material: R04350 or equivalent, Dielectric Constant=3.5, Thickness=.030 inch.

 **Mini-Circuits®**