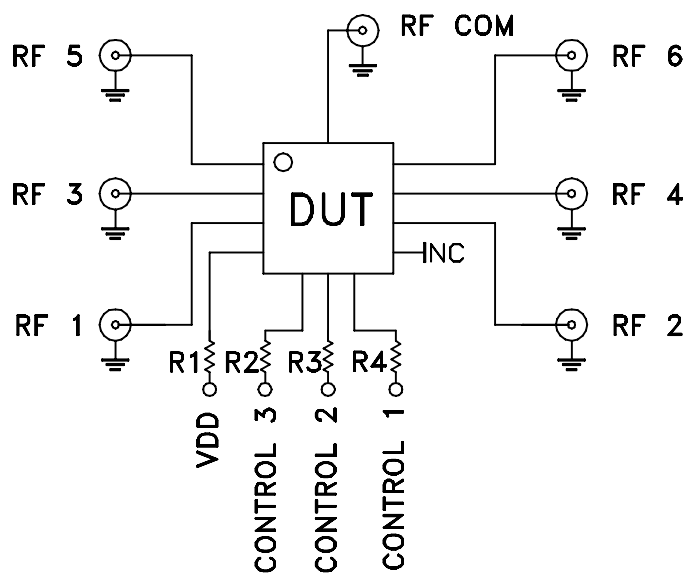
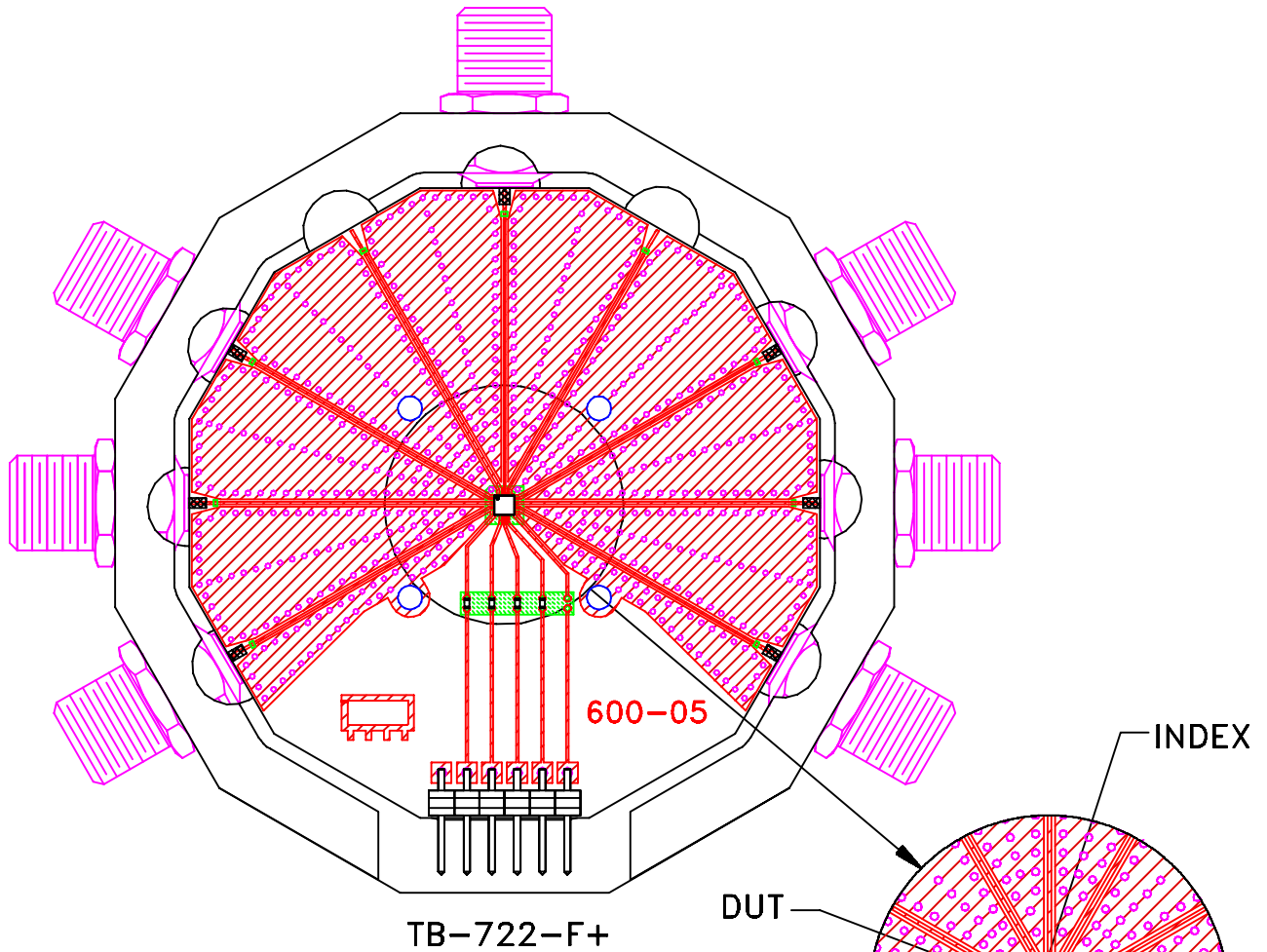


# Evaluation Board and Circuit




Schematic Diagram

COMPONENT	VALUE	SIZE
R1-R4	1 kOhm	0402

## Notes:

1. 75 Ohm "F"-type Female connectors.
2. PCB Material: R04350 or equivalent,  
Dielectric Constant=3.5,  
Thickness=.030 inch.

 **Mini-Circuits®**