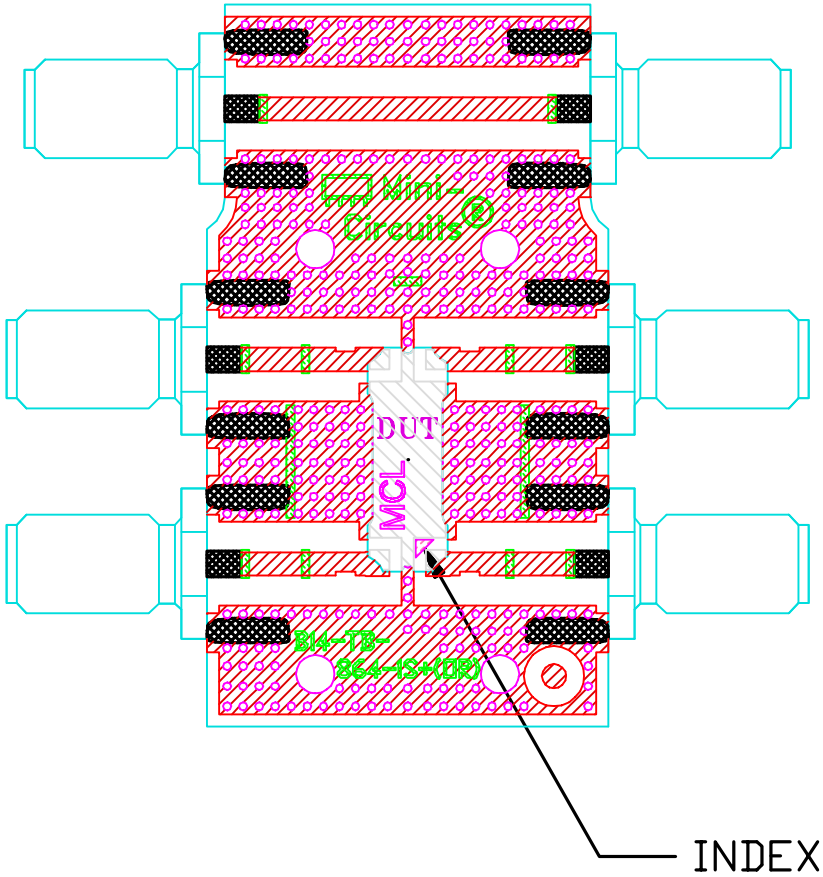


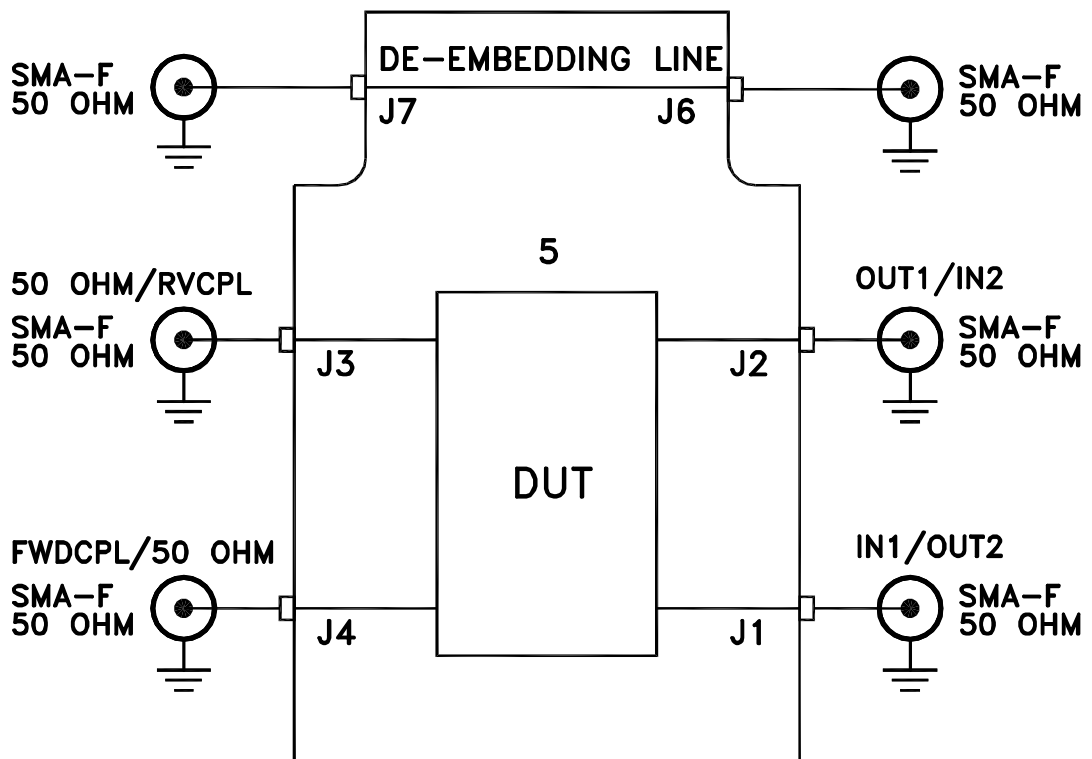
# Evaluation Board and Circuit



TB-864-1+

**NOTES:**

- 1. SMA FEMALE CONNECTORS.
- 2. PCB MATERIAL: ROGERS RT/DUROID 5880 OR EQUIVALENT, DIELECTRIC CONSTANT=2.2, DIELECTRIC THICKNESS=.020 INCH.



TB-864-1+  
Schematic Diagram