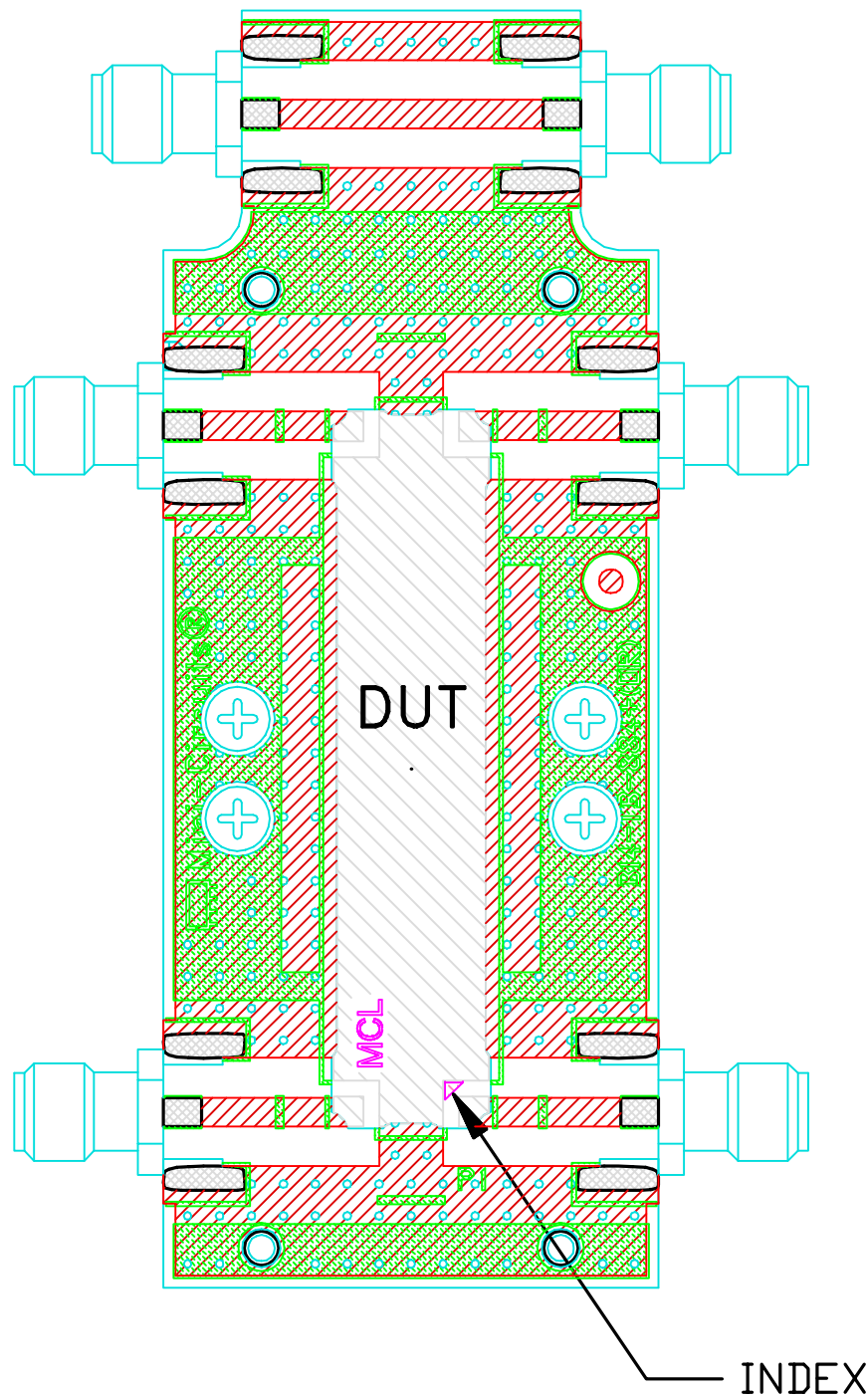


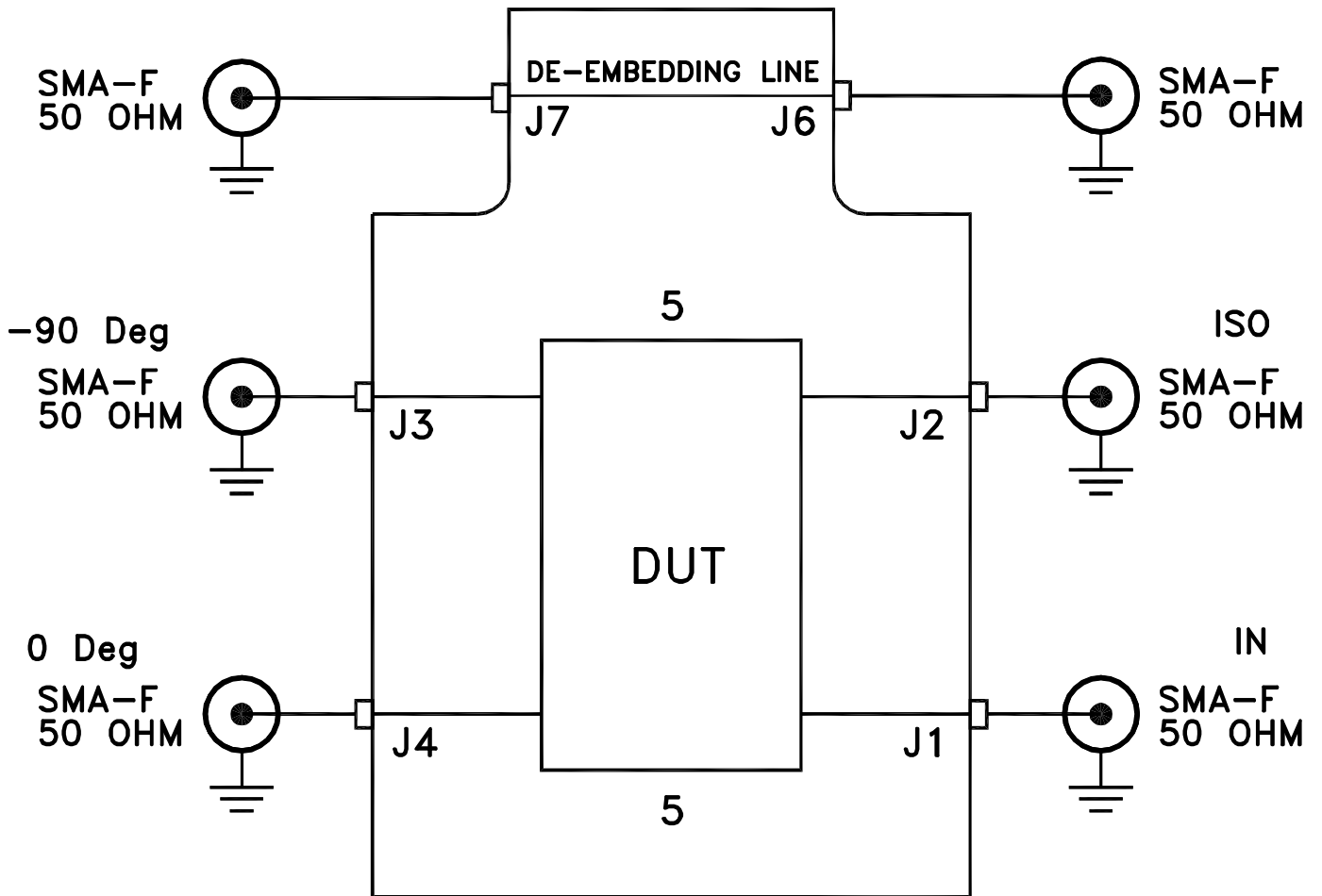
Evaluation Board and Circuit



TB-998+

NOTES:

1. SMA F JACK CONNECTORS.
2. PCB MATERIAL: ROGERS RO4003C OR EQUIVALENT, DIALECTRIC CONSTANT=3.5, DIALECTRIC THICKNESS=.032 INCH.



TB-998+
Schematic Diagram