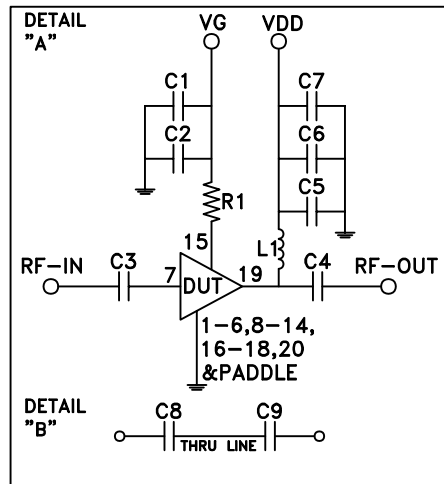
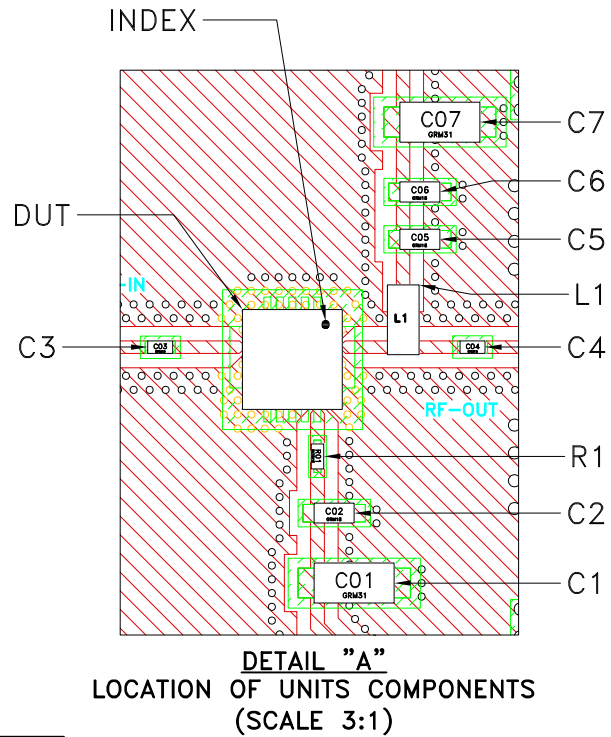
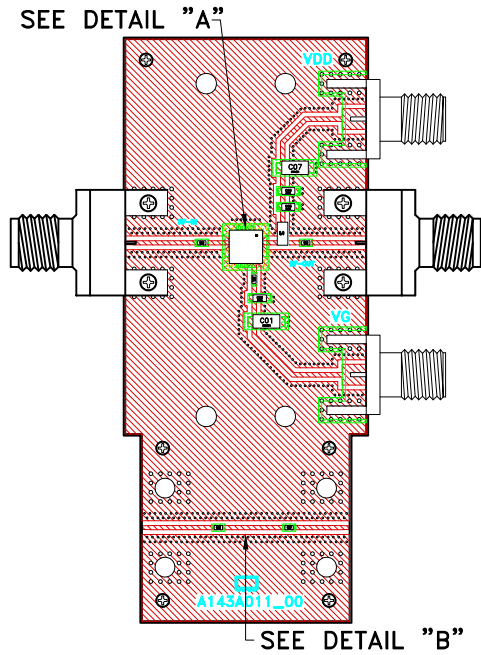
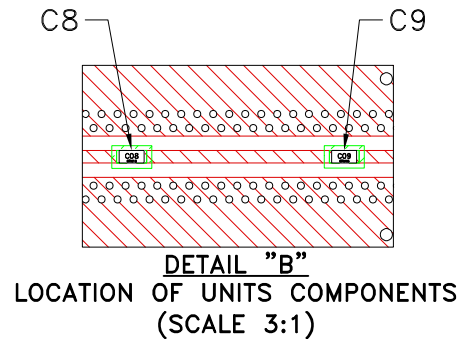


Evaluation Board and Circuit



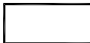
SCHEMATIC DIAGRAM



Component	Size	Value	Part Number	Manufacturer
C1,C7	1206	10uF	B55-109-106K+	Samsung
C2,C6	0603	0.1uF	B55-18-104+	AVX
C5	0603	100pF	B55-19-101G+	Murata
C3,C4,C8,C9	0402	0.1uF	B55-66A-104K+	AVX
R1	0402	1kohm	B50-3A-1001+	KOA
L1	2.5mmx 3.8mm	0.6uH	B65-600-06	Piconics

Notes:

- 2.4mm Female Connectors.
- PCB Material: Roger R04350B or equivalent,
Dielectric constant=3.5, Thickness=0.010 inch

 Mini-Circuits®