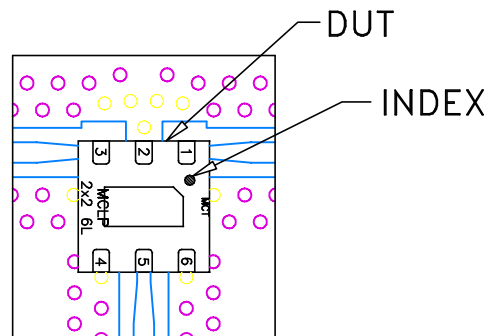
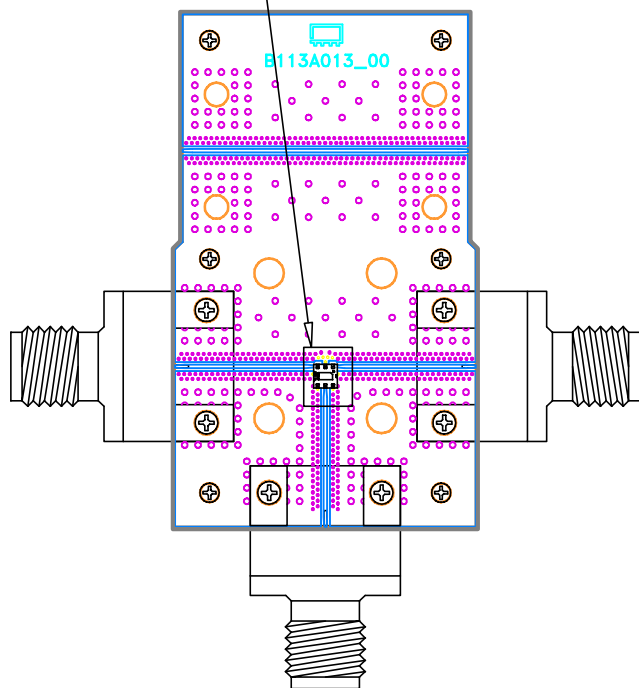
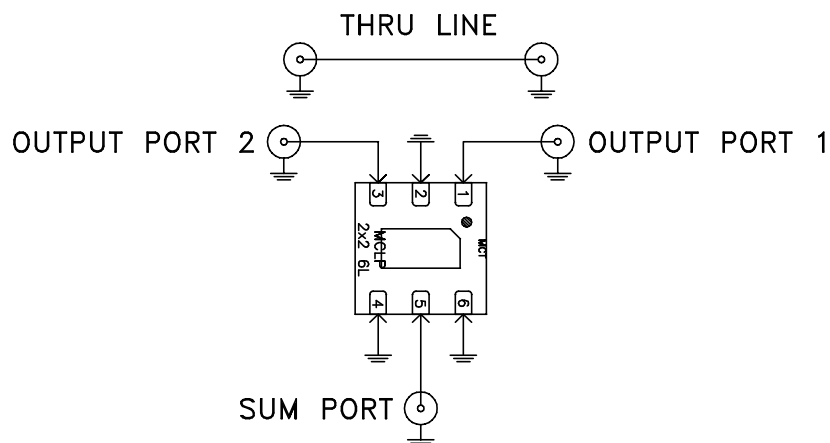


Evaluation Board and Circuit

SEE DETAIL "A"



DETAIL "A"
(SCALE 5:1)




SCHEMATIC DIAGRAM
(SCALE 5:1)

Function	Pad
OUTPUT PORT 1	1
OUTPUT PORT 2	3
SUM PORT	5
GND	2,4,6

NOTES:

1. 2.4mm Female Connectors.
2. PCB Material: Roger R04350B or equivalent,
Dielectric constant=3.5, Thickness=0.0066 inch

 **Mini-Circuits®**