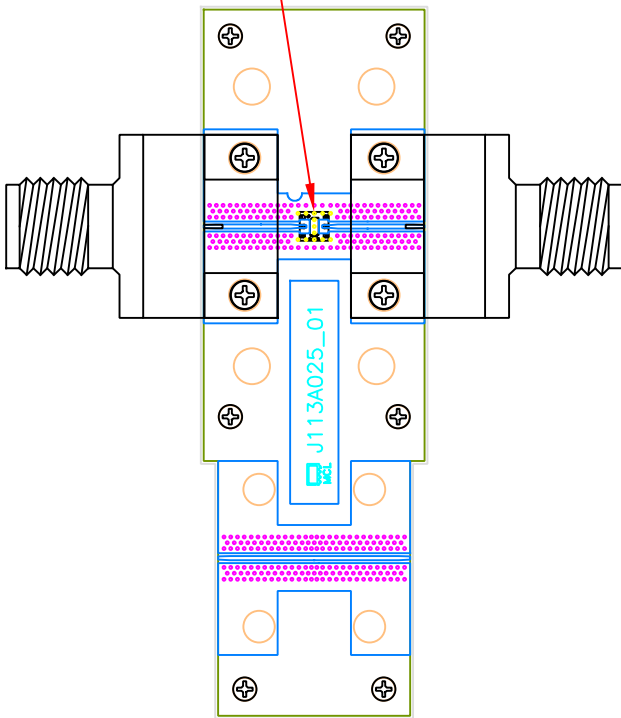
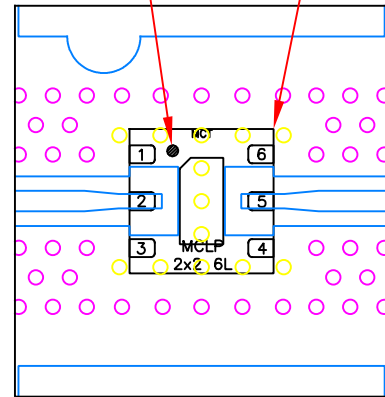


# Evaluation Board and Circuit

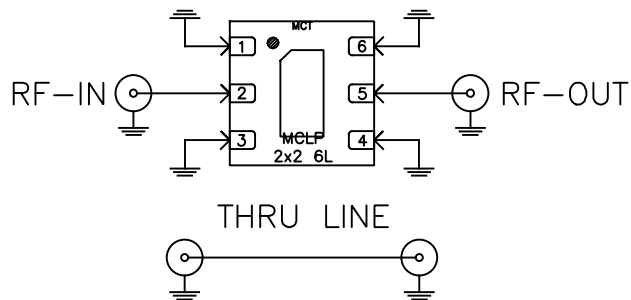
SEE DETAIL "A"



INDEX — DUT



DETAIL "A"  
(SCALE 5:1)



SCHEMATIC DIAGRAM  
(SCALE 5:1)

Function	Pad
RF-IN	2
RF-OUT	5
GND	1,3,4,6

## Notes:

1. 2.4mm Female Connectors.
2. PCB Material: Roger R04350B or equivalent,  
Dielectric constant=3.5, Thickness=0.0066 inch

 Mini-Circuits®