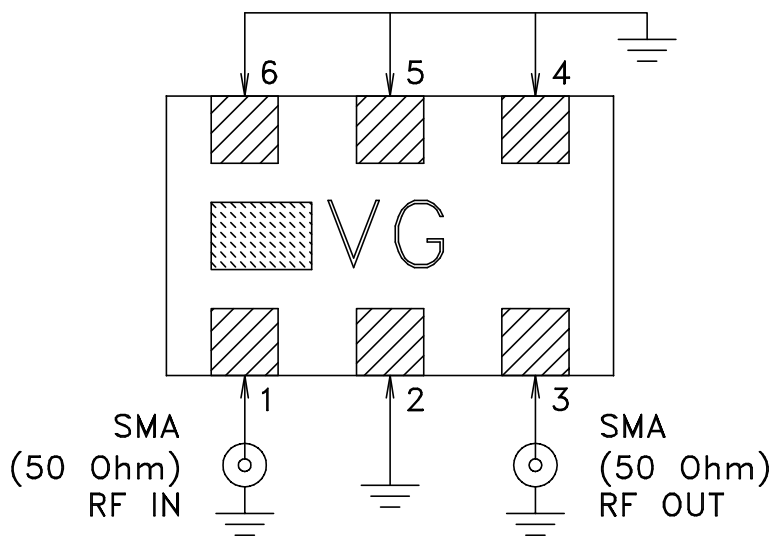
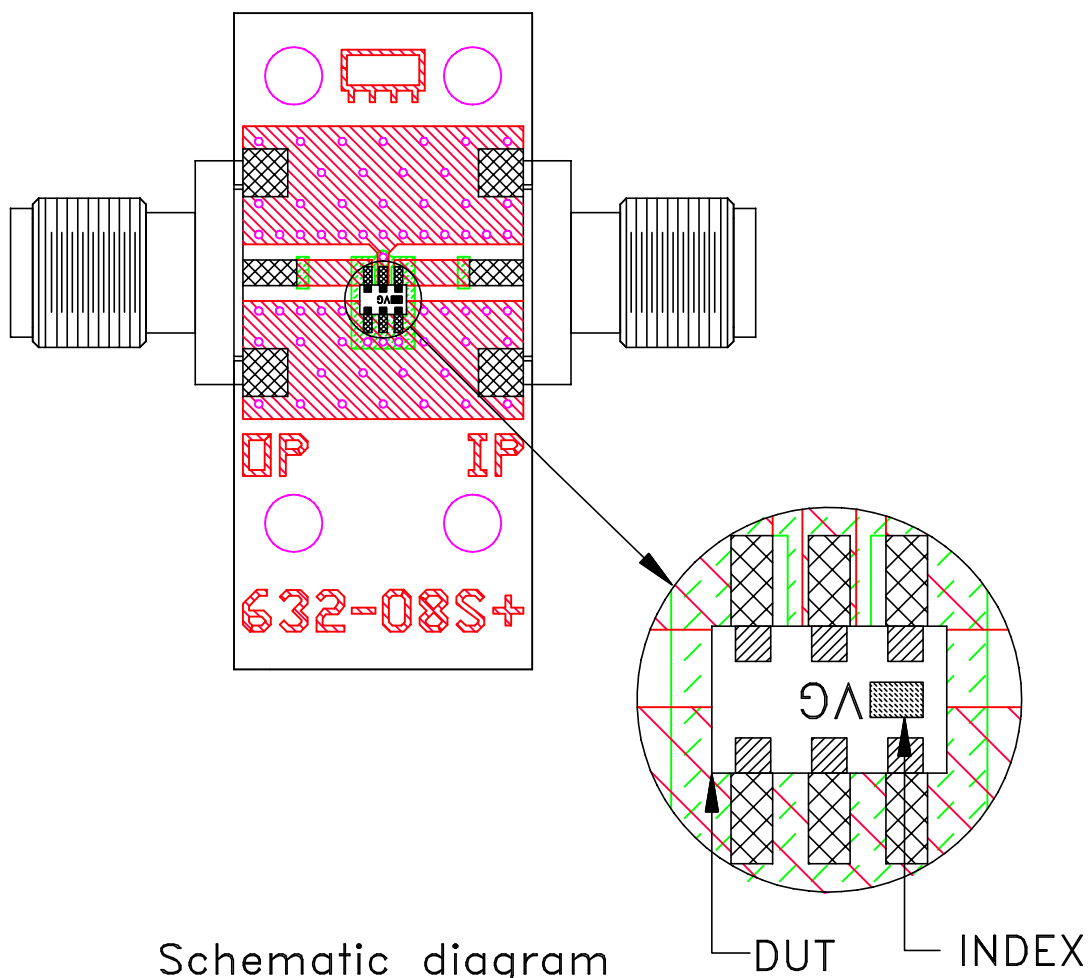



Evaluation Board and Circuit

TB-HFCG-2200+



Notes:

1. PCB Material: ROGERS (R04350B) OR Equivalent, Dielectric Constant=3.48
Dielectric Thickness: .020 inch
2. 50 Ohm SMA Female Connectors.

 **Mini-Circuits®**