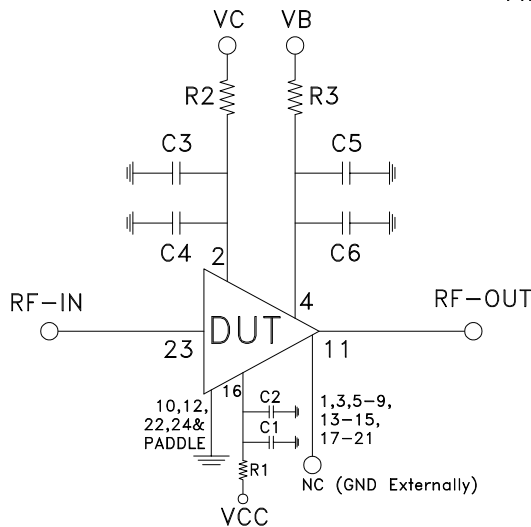
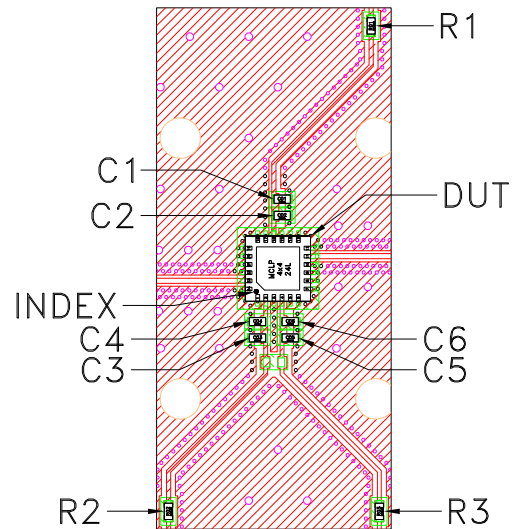
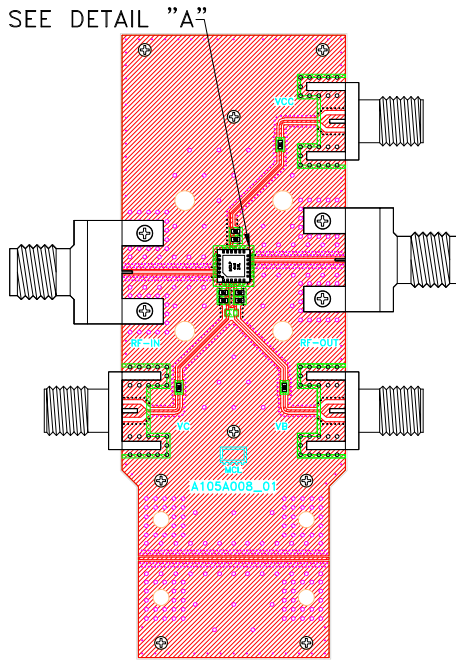


Evaluation Board and Circuit



SCHEMATIC DIAGRAM

Component	Size	Value	Part Number	Manufacturer
C1,C3,C5	0402	0.1uF	GRM155R71H104KE14J	Murata
C2,C4,C6	0402	100pF	GRM1555C1H101JA01D	Murata
R1,R2,R3	0402	00hm	RK73Z1ETTP	KOA Speer

Notes:

1. 2.92mm Female Connectors.
2. PCB Material: Roger R04350B or equivalent,
Dielectric constant=3.5, Thickness=0.0066 inch