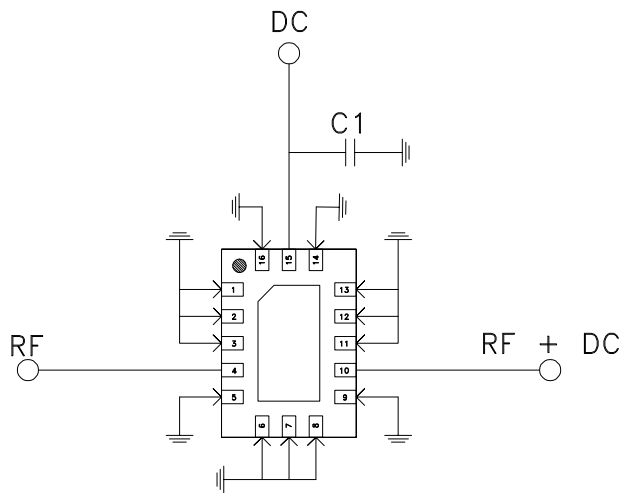
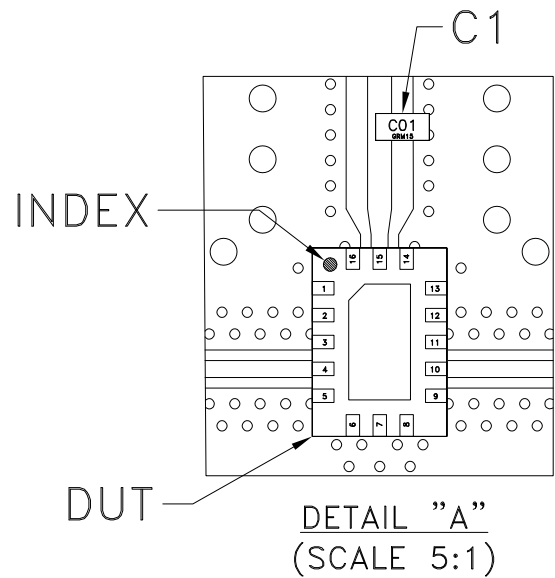
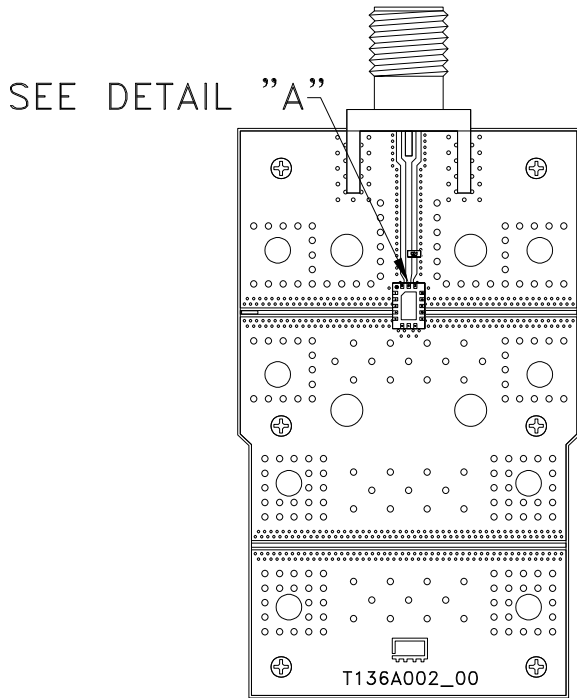


Evaluation Board and Circuit

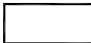


SCHEMATIC DIAGRAM
(SCALE 4:1)

Component	Size	Value	Part Number	Manufacturer
C1	0402	0.1uF	GRM155R71H104KE14J	Murata

Notes:

- 2.92mm Female Connectors.
- PCB Material: Roger R04350B or equivalent,
Dielectric constant=3.5, Thickness=0.0066 inch

 Mini-Circuits®