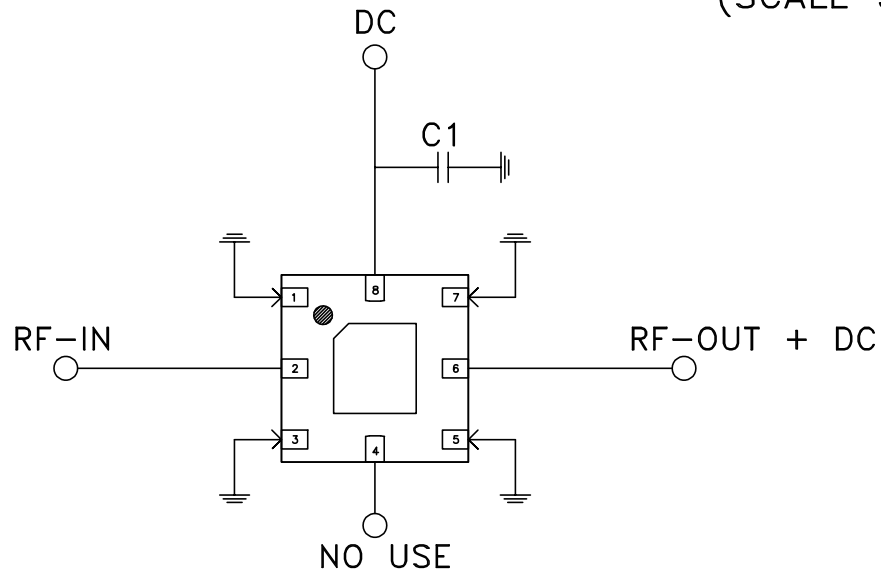
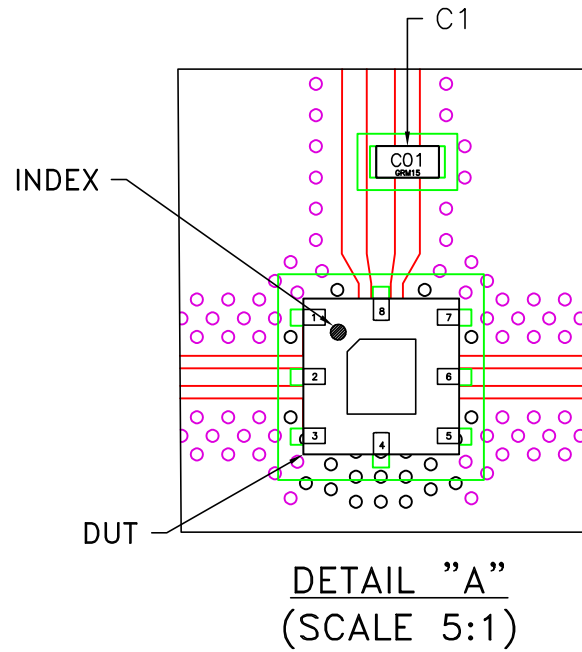
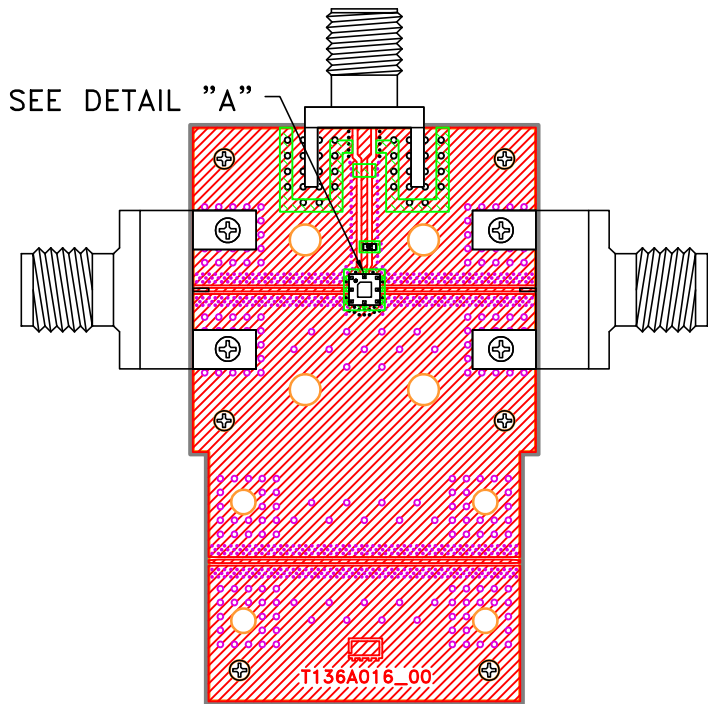


Evaluation Board and Circuit



SCHEMATIC DIAGRAM
(SCALE 5:1)

Component	Size	Value	Part Number	Manufacturer
C1	0402	100pF	GRM1555C1H101JA01D	Murata

NOTES:

1. 2.4mm Female Connectors.
2. PCB Material: Roger RO4350B or equivalent,
Dielectric constant=3.5, Thickness=0.0066 inch

