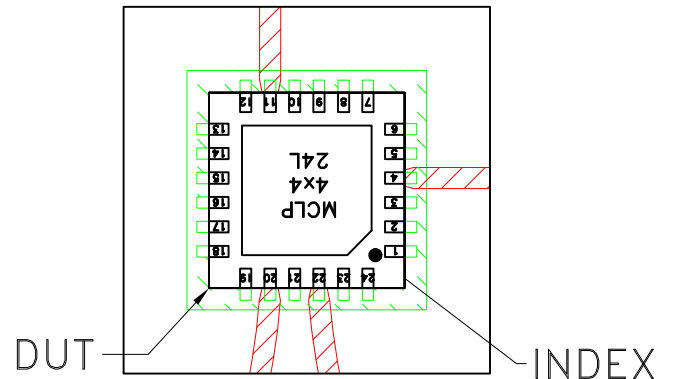
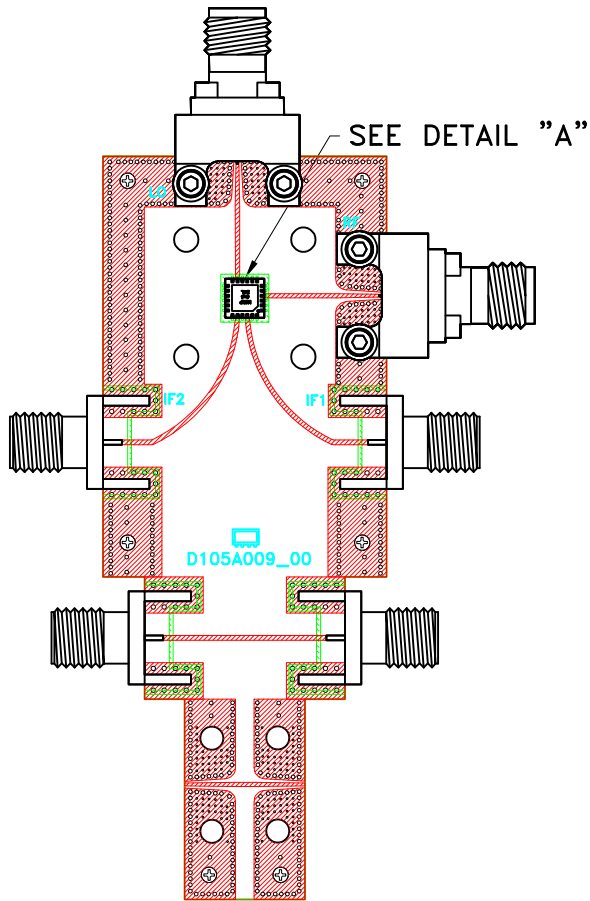
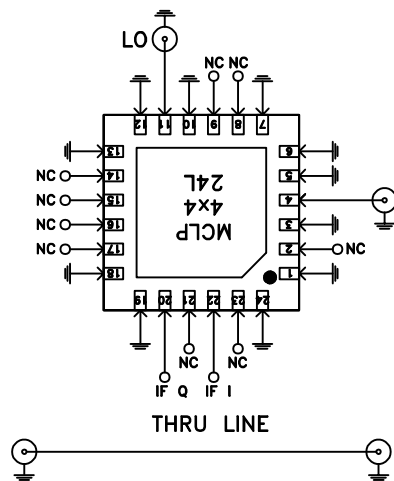


# Evaluation Board and Circuit



DETAIL "A"  
(SCALE 5:1)



SCHEMATIC DIAGRAM  
(SCALE 5:1)

Function	Pad
RF	4
LO	11
IF I	22
IF Q	20
GND	1,3,5-7,10,12-13,18-19,24
NC, GND Externally	2,8-9,14-17,21,23

## Notes:

1. 1.85mm Female Connectors.
2. PCB Material: Roger R04350B or equivalent,  
Dielectric constant=3.5, Thickness=0.008 inch

 Mini-Circuits®