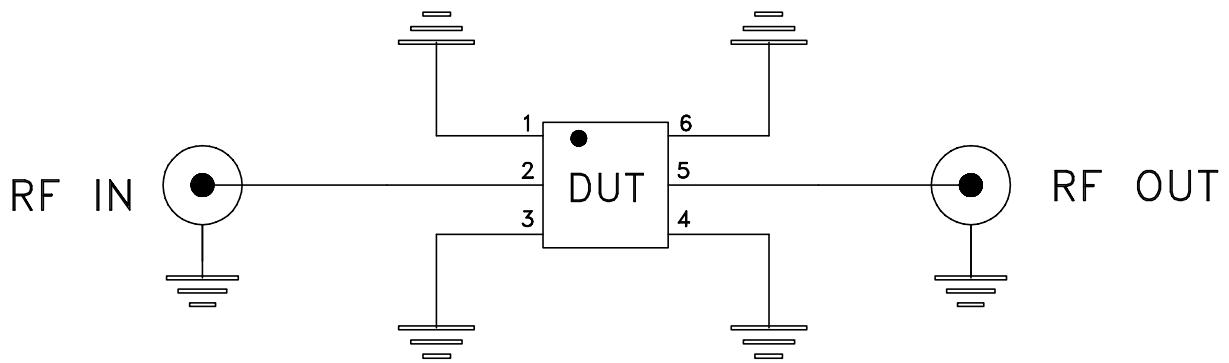
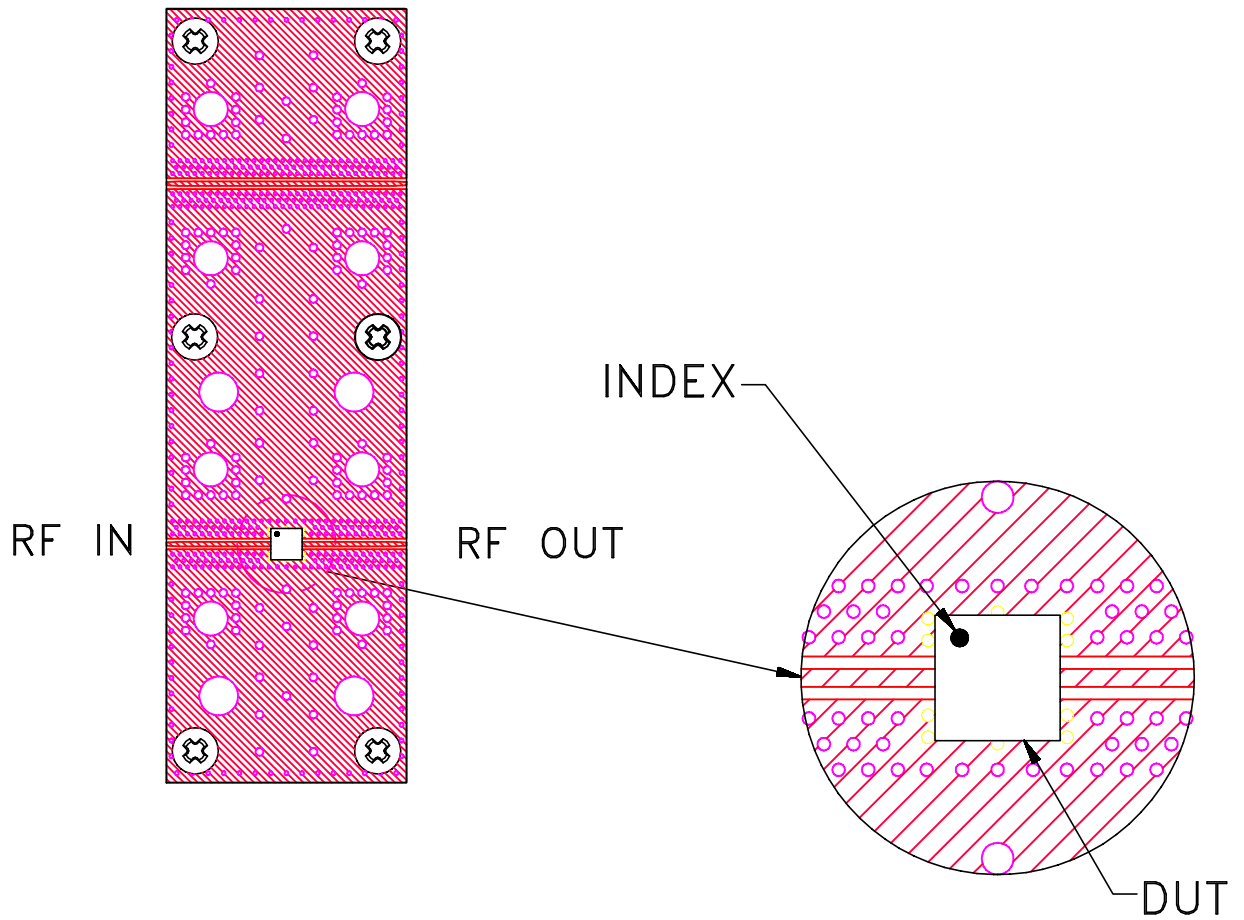


# Evaluation Board and Circuit



Schematic Diagram

Note:

1. PCB Material: R04350 or equivalent,  
Dielectric Constant=3.5, Thickness=.0066 inch.

