

PRODUCT CHANGE NOTICE

PCN Form (D4-E000-73)

PCN#18-137

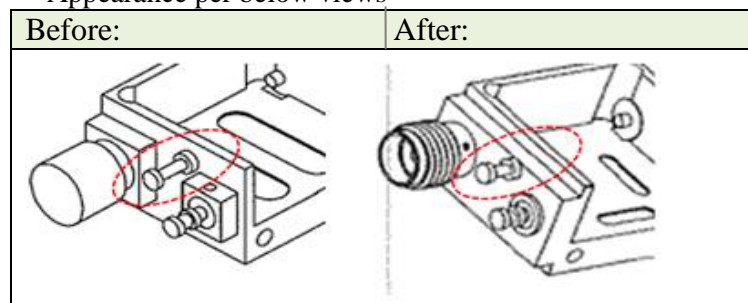
NOTIFICATION DATE: November 2, 2018

MODEL(S) AFFECTED:**ZX Case Series** (See attached list for specific models)**EXTENT OF CHANGE:**

Change of method of Ground Turret Pin assembly

EFFECT OF CHANGE:

- No change to FUNCTION, Change to FIT and FORM
- Ground Turret Pin changed from insertion and swage assembly to integrated machined design
- Appearance per below views

**REASON FOR CHANGE:**

Improved captivation of the Ground Turret Pin to prevent rotation or wobbling

EFFECTIVE DATE OF CHANGE:

Immediate, during transition both versions may be shipped based on stock availability

ATTACHMENTS:

N/A

QUESTIONS?**[PLEASE CONTACT US.](#)**

11/16/18: updated photos

AS9100 ISO9001 ISO14001 Certified to QMS and EMS

PRODUCT CHANGE NOTICE

PCN Form (D4-E000-73)

Attachment to **PCN18-137**

** List of Affected Models **

ZX47-40LN-S+	ZX60-2510MA-S+	ZX60-83LN12+	ZX76-31-PP-S+	ZX95-1750W-S+
ZX47-40-S+	ZX60-2510M-S	ZX60-83LN-S+	ZX76-31R5A-PPS+	ZX95-2000-S+
ZX47-50LN-S+	ZX60-2514MA-S+	ZX60-H122+	ZX76-31R5A-SNS+	ZX95-200A-S+
ZX47-50-S+	ZX60-2514M-S+	ZX60-H242+	ZX76-31R5A-SPS+	ZX95-200-S+
ZX47-55LN-S+	ZX60-2522MA-S+	ZX60-P103LN+	ZX76-31R5-PP-S+	ZX95-2015-S+
ZX47-55-S+	ZX60-2522M-S+	ZX60-P105LN+	ZX76-31R5-SP-S+	ZX95-209-S+
ZX47-60LN-S+	ZX60-2531MA-S+	ZX60-P162LN+	ZX76-31R75PP-S+	ZX95-2150VW-S+
ZX47-60-S+	ZX60-2531M-S+	ZX60-P33ULN+	ZX76-31-SN-S+	ZX95-2243C-S+
ZX60-0916LN-S+	ZX60-2534MA-S+	ZX60-V62+	ZX76-31-SP-S+	ZX95-2435-S+
ZX60-100VH+	ZX60-2534M-S+	ZX60-V63+	ZX80-DR230-S+	ZX95-2490C-S+
ZX60-100VHX+	ZX60-272LN-S+	ZX60-V81-S+	ZX85-12G-S+	ZX95-2490-S+
ZX60-112LN+	ZX60-3011+	ZX60-V82-S+	ZX85-40W-63-S+	ZX95-2500A-S+
ZX60-1215LN-S+	ZX60-3018G-S+	ZX60-V83-S+	ZX95-1000C-S+	ZX95-2500-S+
ZX60-123LN-S+	ZX60-33LN-S+	ZX73-2500M-S+	ZX95-100-S+	ZX95-2500WA-S+
ZX60-14012L-S+	ZX60-362GLN-S+	ZX73-2500-S+	ZX95-1012-S+	ZX95-2500W-S+
ZX60-153LN-S+	ZX60-362LN-S+	ZX76-15R5A-PPS+	ZX95-1015-S+	ZX95-2536C-S+
ZX60-1614LN-S	ZX60-3800LN-S+	ZX76-15R5A-SNS+	ZX95-1062-S+	ZX95-2600CA-S+
ZX60-183A-S+	ZX60-4016E-S+	ZX76-15R5A-SPS+	ZX95-1200W-S+	ZX95-2600-S+
ZX60-183-S+	ZX60-43-S+	ZX76-15R5-PP-S+	ZX95-1300-S+	ZX95-2632C-S+
ZX60-23LM-S+	ZX60-53LNB-S+	ZX76-15R5-SP-S+	ZX95-1303-S+	ZX95-2650A-S+
ZX60-2411BM-S+	ZX60-542LN-S+	ZX76-31A-PPS+	ZX95-1310C-S+	ZX95-2650-S+
ZX60-242GLN-S+	ZX60-5916MA-S+	ZX76-31A-SPS+	ZX95-1410-S+	ZX95-2700A-S+
ZX60-242LN-S+	ZX60-5916M-S+	ZX76-31-PN-S+	ZX95-1480-S+	ZX95-2705-S+
ZX60-24A-S+	ZX60-6013E-S+		ZX95-1584-S+	ZX95-2745-S+
ZX60-24-S+	ZX60-8008E-S+		ZX95-1700W-S+	ZX95-2750-S+

PRODUCT CHANGE NOTICE PCN Form (D4-E000-73)

Attachment to **PCN18-137**

** List of Affected Models **

ZX95-2755-S+	ZX95-3150-S+	ZX95-3800A-S+	ZX95-470A-S+	ZX95-625A-S+
ZX95-2800-S+	ZX95-3250-S+	ZX95-400-S+	ZX95-4725-S+	ZX95-625-S+
ZX95-2952A-S+	ZX95-3360A-S+	ZX95-4040-S+	ZX95-5150-S+	ZX95-6840C-S+
ZX95-3000W-S+	ZX95-3360-S+	ZX95-4300-S+	ZX95-5200C-S+	ZX95-850-S+
ZX95-3044-S+	ZX95-3555-S+	ZX95-43-S+	ZX95-535-S+	ZX95-850W-S+
ZX95-3050A-S+	ZX95-3600-S+	ZX95-4403-S+	ZX95-5400-S+	ZX95-868-S+
ZX95-310A-S+	ZX95-368-S+	ZX95-445-S+	ZX95-5776-S+	ZX95-870-S+
ZX95-310-S+	ZX95-3760-S+	ZX95-4540-S+	ZX95-6030C-S+	ZX95-928CA-S+