



COAXIAL HIGH POWER

Termination

TERM-25W-183N+

Mini-Circuits

50Ω 25W DC to 18 GHz N-type Male

THE BIG DEAL

- Ultra-Wideband Operation, DC to 18 GHz
- Input Power Handling, 25W
- Excellent Return Loss, 22 dB Typ. up to 18 GHz



Generic photo used for illustration purposes only

APPLICATIONS

- Cellular Communications
- Satellite Communications
- Test set-up
- Defense and Radar

Model No.	TERM-25W-183N+
Case Style	LL2798
Connectors	N-type Male

+RoHS Compliant

The +Suffix identifies RoHS Compliance. See our website for methodologies and qualifications

PRODUCT OVERVIEW

Mini-Circuits' TERM-25W-183N+ is an ultra-wideband 50Ω high power termination capable of absorbing signals up to 25W from DC to 18 GHz. It provides excellent return loss across its entire operating frequency range, effectively dissipating signal power with minimal reflections. This model has N-type male connectors, allowing connections with N-type female connectors. The unit features rugged construction for a long life of use and comes in passivated stainless steel connector with black anodized aluminum housing.

KEY FEATURES

Features	Advantages
Wideband, DC to 18 GHz	Extremely wide frequency range provides application flexibility and makes this model ideal for broadband and multi-band use.
Good Return Loss: • 22 dB typ. up to 18 GHz	Good return loss minimizes signal reflections across multiple-decade frequency range
Power Handling up to 25W	Meets a wide range of system power requirements.
Wide operating temperature range, -55 to +100 °C	Withstands tough operating conditions and is suitable for use near high power componentry where heat rise is common.





ELECTRICAL SPECIFICATIONS AT 25°C

Parameter	Condition (GHz)	Min.	Typ.	Max.	Units
Frequency Range	-	DC	-	18	GHz
Return Loss	DC - 6	20.8	32	-	dB
	6 - 12.4	17.7	30	-	
	12.4 - 18	15.5	29	-	
Input Power ¹	DC - 18	-	-	25	W

1. At 25°C, derate linearly to 10W at 100°C.

ABSOLUTE MAXIMUM RATINGS²

Parameter	Ratings
Operating Temperature	-55 °C to +100 °C
Storage Temperature	-55 °C to +100 °C

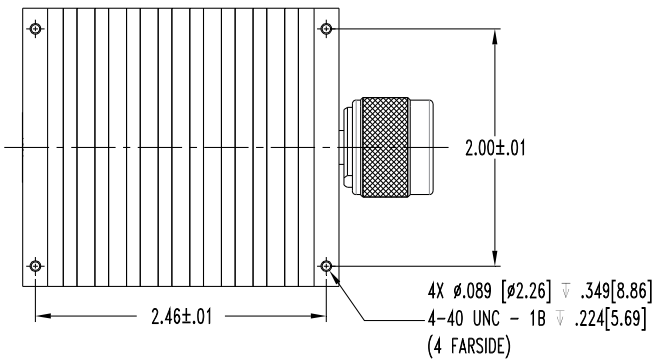
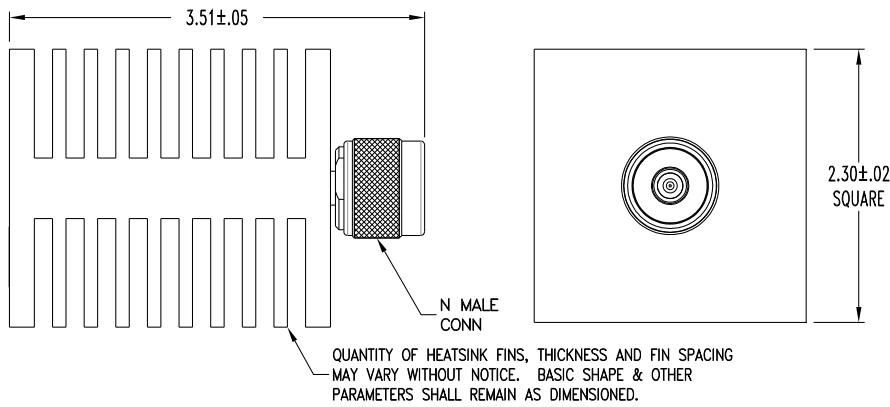
2. Permanent damage may occur if any of these limits are exceeded.



COAXIAL CONNECTIONS

Input	N-Male
-------	--------

OUTLINE DRAWING



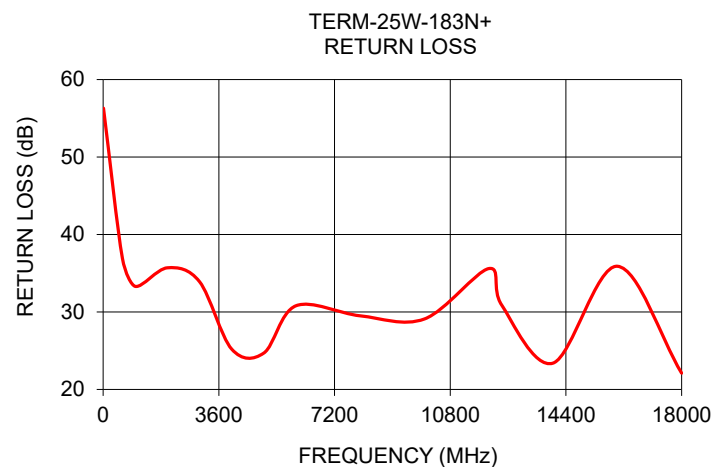
Weight: 500 grams

Dimensions are in inches [mm]. Tolerances: 2 PL. \pm .03; 3 PL \pm .010



TYPICAL PERFORMANCE DATA / GRAPHS

Frequency (MHz)	Return Loss (dB)
10	56.30
600	36.90
1000	33.30
2000	35.70
3000	33.90
4000	25.20
5000	24.70
6000	30.80
8000	29.50
10000	29.10
12000	35.60
12400	30.90
14000	23.40
16000	35.90
18000	22.10



NOTES

- Performance and quality attributes and conditions not expressly stated in this specification document are intended to be excluded and do not form a part of this specification document.
- Electrical specifications and performance data contained in this specification document are based on Mini-Circuit's applicable established test performance criteria and measurement instructions.
- The parts covered by this specification document are subject to Mini-Circuits standard limited warranty and terms and conditions (collectively, "Standard Terms"); Purchasers of this part are entitled to the rights and benefits contained therein. For a full statement of the standard terms and the exclusive rights and remedies thereunder, please visit Mini-Circuits' website at www.minicircuits.com/terms/viewterm.html