



RACK-MOUNTED

8 x 2-Way Splitter / Combiner Panel

ZT-304

Mini-Circuits

50Ω

0.5 to 6 GHz

8 x 2-Way

THE BIG DEAL

- 8 x passive 2-way splitter / combiners
- Convenient panel mounted design
- Broadband performance
- Up to 30W input power as a splitter

APPLICATIONS

- 4G / 5G FR1 test environments
- Satcom signal routing
- Test & measurement

PRODUCT OVERVIEW

Mini-Circuits panel-mounted structures provide clean, organized management of cable runs and connections in complex, high-volume test setups. Multiple connector adapters, power splitters, directional couplers and other essential RF components and test accessories can be integrated efficiently within the test system. Custom configurations are available upon request.

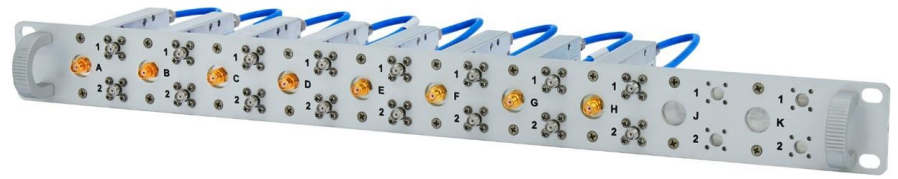
ZT-304 and ZT-304BK are 1U height, rack-mountable panels incorporating 8 passive, wideband, 2-way splitter / combiners. All RF ports are accessible on the front panel with SMA female connectors. ZT-304BK is available with a black anodized panel finish.

ELECTRICAL SPECIFICATIONS @ 25°C (PER SPLITTER)

Parameter	Conditions	Min	Typ	Max	Units
Frequency		500		6000	GHz
Insertion Loss	Above 3 dB theoretical		0.6	1.0	
Isolation	500-698 MHz	14	18		dB
	698-6000 MHz	18	22		
VSWR	Sum ports		1.45		:1
	Ports 1-2		1.25		
Input Power	As power splitter			30	W

MECHANICAL SPECIFICATIONS

Dimensions	19" (W) x 1U (H)				
Case Drawing	99-01-2947				
Weight	2.5 lbs (1.1 kg)				
Case Material	Aluminum (with protective coating to prevent corrosion)				
RF Connectors	Panel	Connector	Quantity	Port Labels	
	Front	SMA female	24	A-H (sum ports) & 1-2 per splitter	
	Front Panel Items			Rear Panel Labels	
Panels	<ul style="list-style-type: none"> • Carry handles 			<ul style="list-style-type: none"> • CE / EAC / UKCA • Serial number / date code / model name 	
Temperature	Operating: 0 to +50 °C				



ZT-304 (above)

ZT-304BK (below, with black anodized finish)

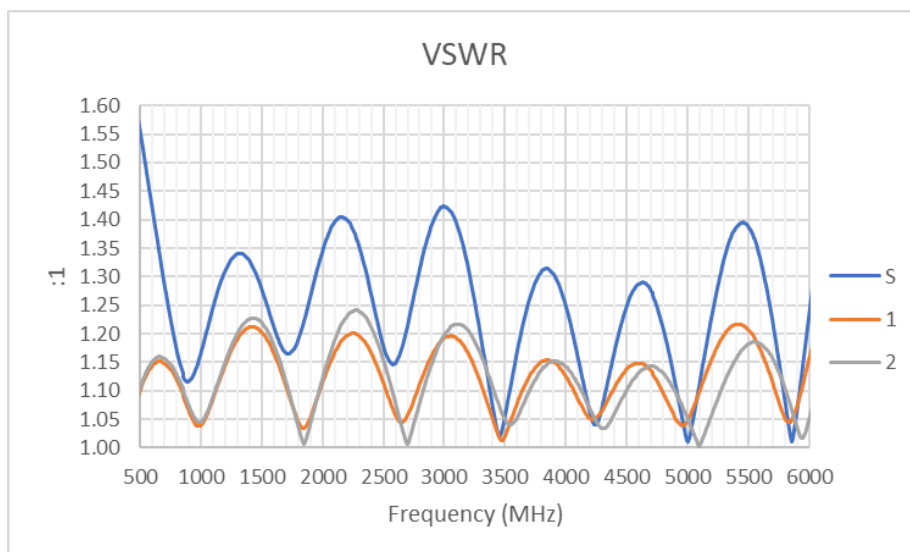
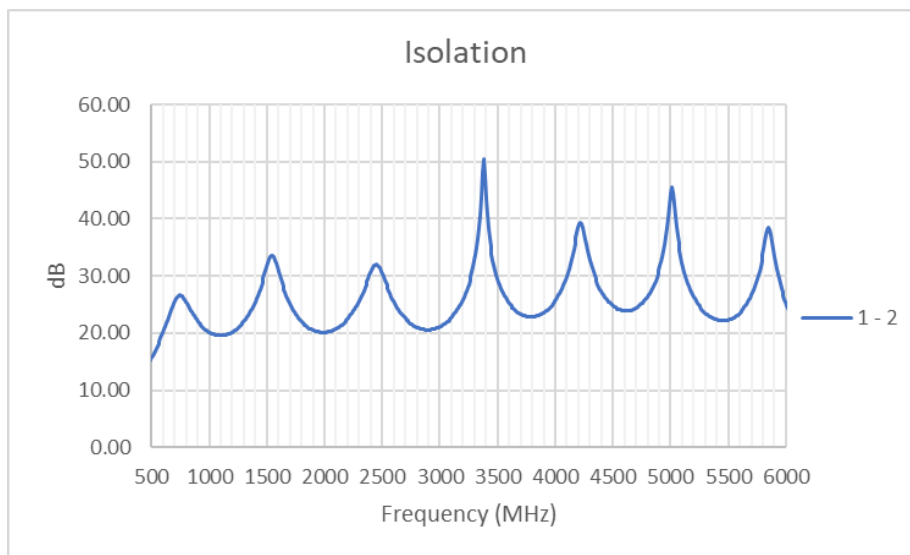
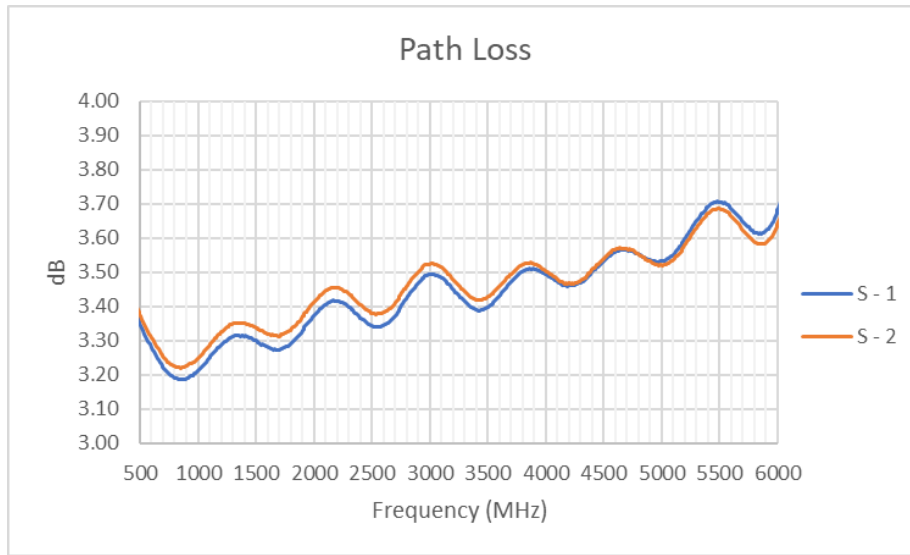


RoHS Compliant

See our website for RoHS Compliance methodologies and qualifications

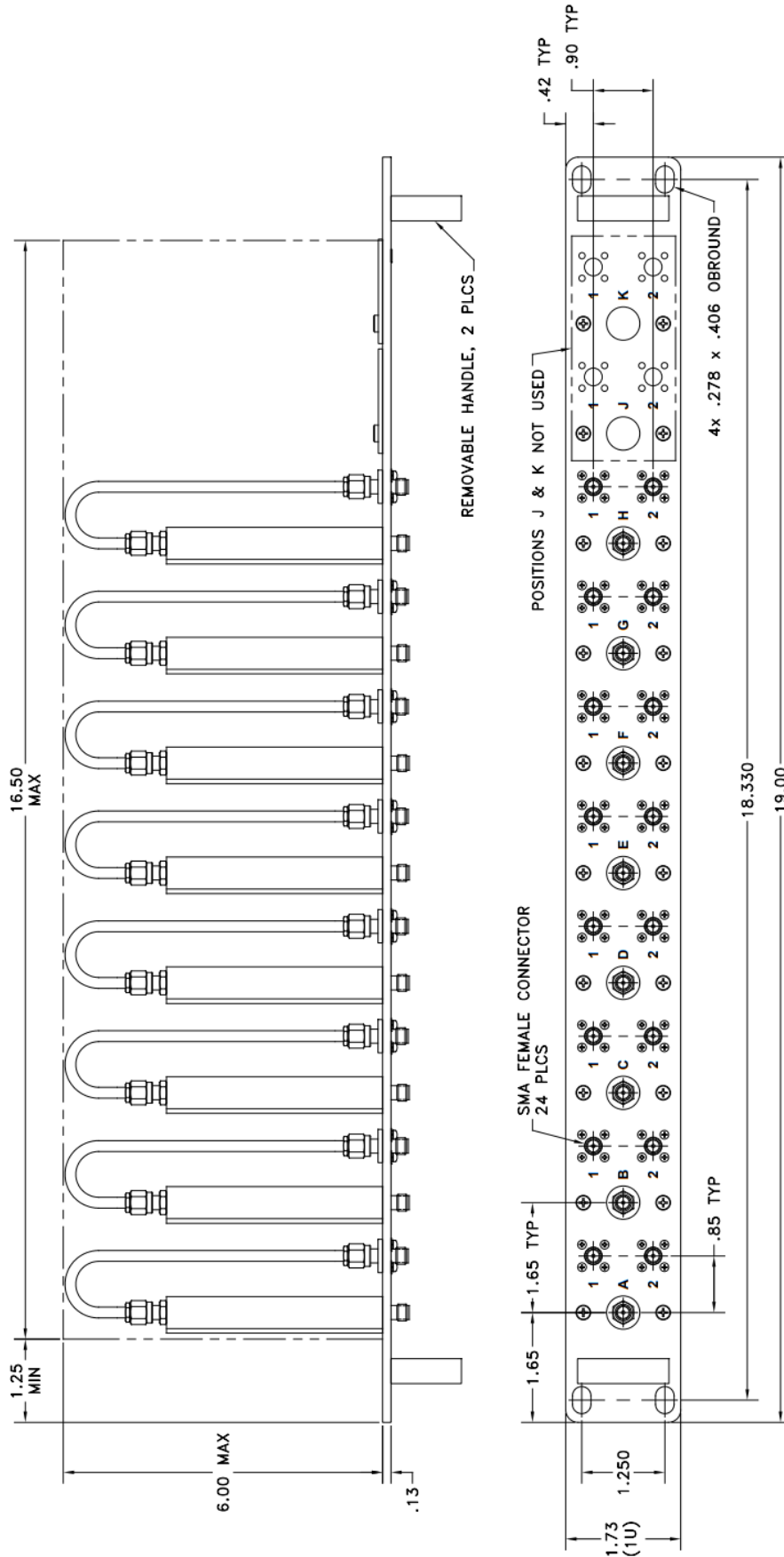


TYPICAL PERFORMANCE DATA





OUTLINE DRAWING





ORDERING INFORMATION

Please contact Mini-Circuits' Test Solutions department for price and availability:

testsolutions@minicircuits.com

INCLUDED ACCESSORIES

Model Name	Quantity	Description
HT-4-SMA	1	SMA Cable Wrench (4 in)

Revision	Updates	Date	Creator	Reviewer
1	Original publication	21-Nov-19	LW	N/A
2	Updated electrical specs	15-Sep-22	LW	WT

NOTES

- A. Performance and quality attributes and conditions not expressly stated in this specification document are intended to be excluded and do not form a part of this specification document.
- B. Electrical specifications and performance data contained in this specification document are based on Mini-Circuit's applicable established test performance criteria and measurement instructions.
- C. The parts covered by this specification document are subject to Mini-Circuits standard limited warranty and terms and conditions (collectively, "Standard Terms"); Purchasers of this part are entitled to the rights and benefits contained therein. For a full statement of the standard. Terms and the exclusive rights and remedies thereunder, please visit Mini-Circuits' website at www.minicircuits.com/MCLStore/terms.jsp