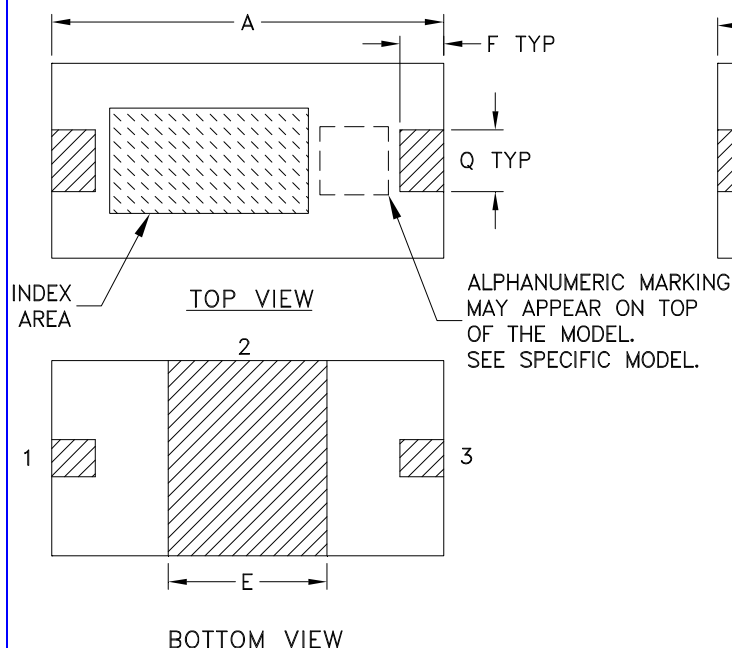
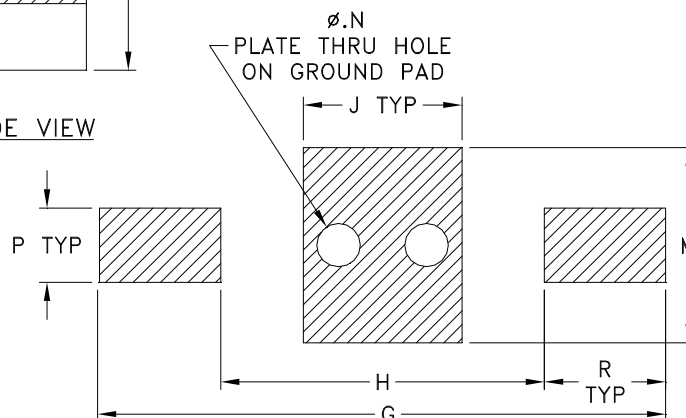


Outline Dimensions



PCB Land Pattern



Suggested Layout,
Tolerance to be within $\pm .002$

CASE #	A	B	C	D	E	F	G	H	J	K	L	M
FV1206-7	.126 (3.20)	.063 (1.60)	.051 (1.30)	-- --	.051 (1.30)	.014 (0.35)	.183 (4.65)	.104 (2.65)	.051 (1.30)	-- --	-- --	.063 (1.60)

CASE #	N	P	Q	R	S	WT. GRAM
FV1206-7	.014 (0.35)	.024 (0.60)	.020 (0.50)	.039 (1.00)	-- --	.020

Dimensions are in inches (mm). Tolerances: 2 Pl. $\pm .01$; 3 Pl. $\pm .005$

Notes:

- Open style, ceramic base.
- Termination finish: **as shown below or indicated on Data Sheet.**
 For RoHS Case Styles: Tin plate over Nickel plate. All models, (+) suffix.
 For RoHS-5 Case Styles: Tin-Lead plate. All models, no (+) suffix.
- Line width should be designed to match 50 Ω characteristic impedance, depending on PCB material and thickness.



P.O. Box 350166, Brooklyn, New York 11235-0003 (718) 934-4500 Fax (718) 332-4661 For detailed performance specs & shopping online see Mini-Circuits web site



The Design Engineers Search Engine Provides ACTUAL Data Instantly From MINI-CIRCUITS At: www.minicircuits.com

RF/IF MICROWAVE COMPONENTS