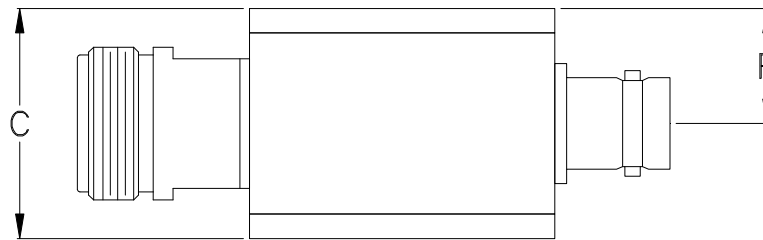
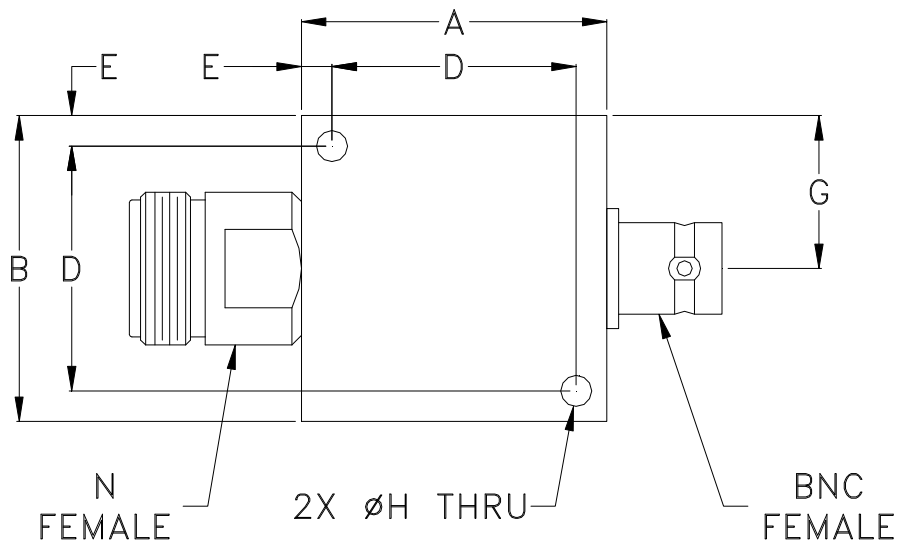


Case Style

H

Outline Dimensions

H795-14



CASE#	A	B	C	D	E	F	G	H	WT. GRAM
H795-14	1.25 (31.75)	1.25 (31.75)	0.940 (23.88)	1.00 (25.4)	0.125 (3.18)	0.470 (11.94)	0.625 (15.88)	0.125 (3.18)	60

Dimensions are in inches (mm). Tolerances: 2Pl. $\pm .03$; 3Pl. $\pm .015$

Notes:

1. Case material: Aluminum alloy.
2. Case finish:
For RoHS Case Styles: Clear chemical conversion coating, non-chrome or trivalent chrome based.

Mini-Circuits®
ISO 9001 ISO 14001 CERTIFIED

ALL NEW
minicircuits.com

P.O. Box 350166, Brooklyn, New York 11235-0003 (718) 934-4500 Fax (718) 332-4661 For detailed performance specs & shopping online see Mini-Circuits web site



The Design Engineers Search Engine Provides ACTUAL Data Instantly From MINI-CIRCUITS At: www.minicircuits.com

RF/IF MICROWAVE COMPONENTS