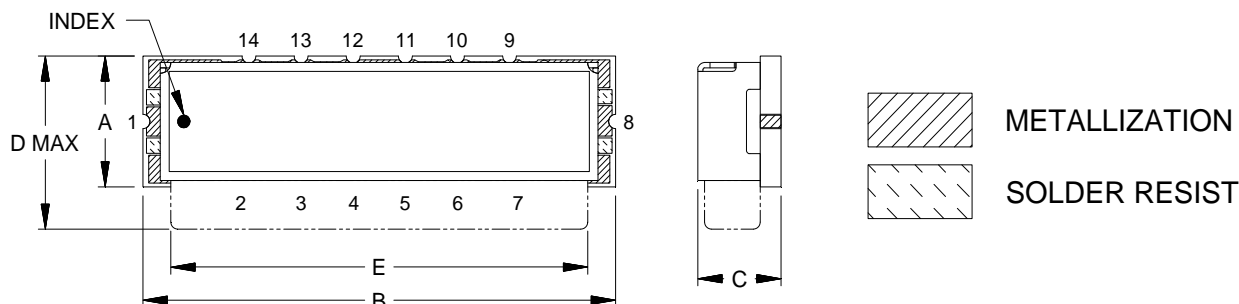
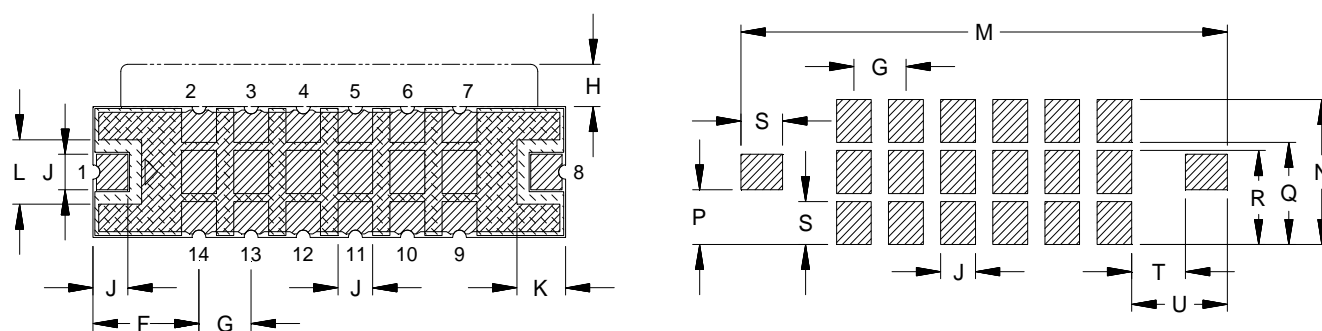


Outline Dimensions

HQ2299-1



PCB Land Pattern



CASE#	A	B	C		D	E	F	G	H	J	K	L
			MIN 1*	MIN 2*								
HQ2299-1	.365 (9.27)	1.360 (34.54)	.212 (5.38)	.240 (6.10)	.483 (12.27)	1.200 (30.48)	.305 (7.75)	.150 (3.81)	.118 (3.00)	.100 (2.54)	.140 (3.56)	.180 (4.57)

CASE#	M	N	P	Q	R	S	T	U	WT.GRAMS
HQ2299-1	1.400 (35.56)	.405 (10.29)	.153 (3.87)	.285 (7.24)	.263 (6.67)	.120 (3.05)	.155 (3.94)	.275 (6.99)	5.0

Dimensions are in inches (mm). Tolerances: 2Pl. $\pm .03$; 3Pl. $\pm .015$

Notes:

- Case material: Nickel-Silver alloy.
- Base: Printed wiring laminate.
- Termination finish:
 - For RoHS Case Styles: 3-5 μ inch Gold over 120-240 μ inch Nickel plate.
 - For RoHS-5 Case Styles: Tin-Lead plate.

* MIN 1/MIN 2 Values are concerning to the PCB thickness



P.O. Box 350166, Brooklyn, New York 11235-0003 (718) 934-4500 Fax (718) 332-4661 For detailed performance specs & shopping online see Mini-Circuits web site



The Design Engineers Search Engine Provides ACTUAL Data Instantly From MINI-CIRCUITS At: www.minicircuits.com

RF/IF MICROWAVE COMPONENTS