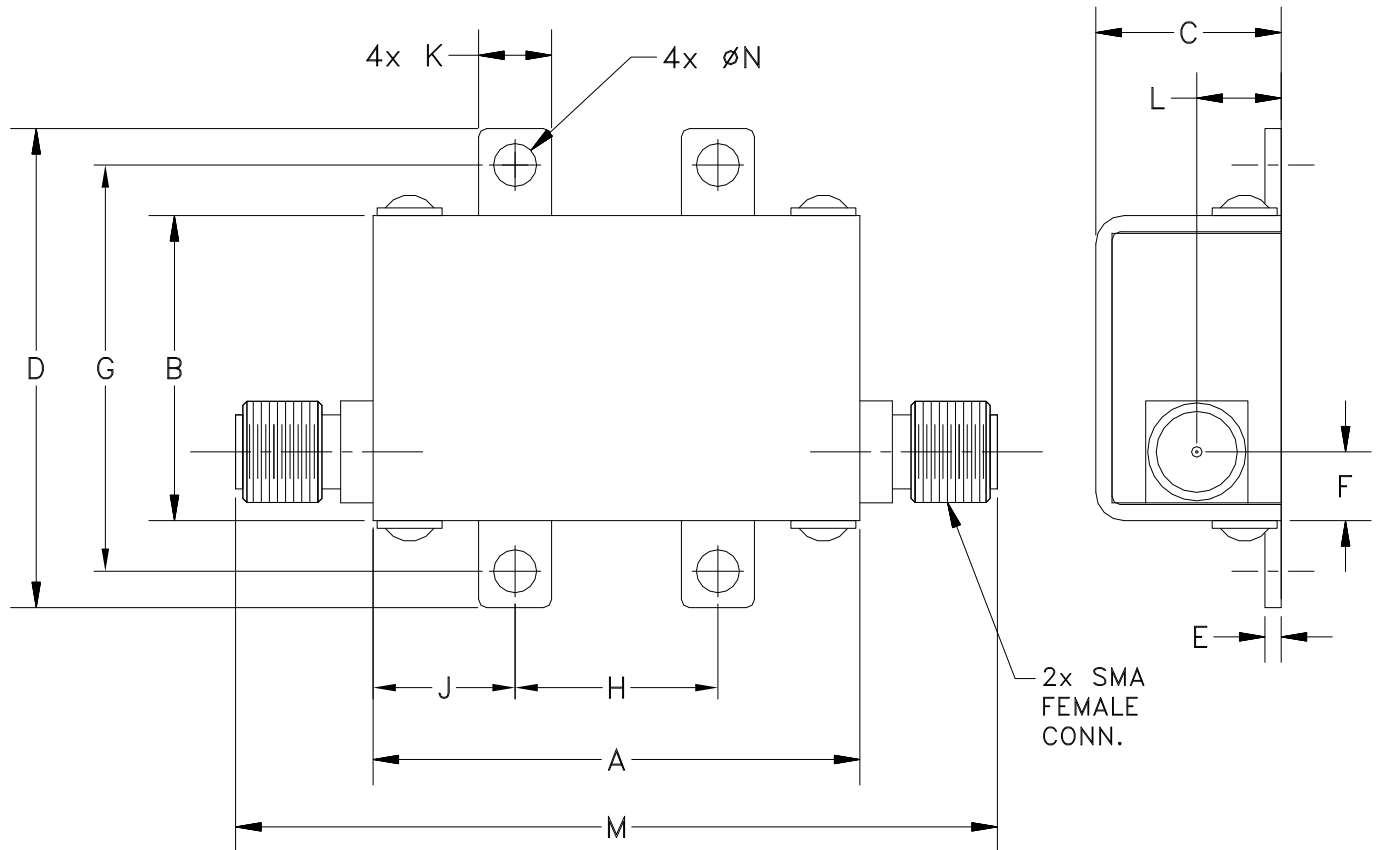


Case Style

HY

Outline Dimensions

HY1239



CASE #.	A	B	C	D	E	F	G	H	J	K	L	M	N	WT GRAMS
HY1239	1.20 (30.48)	.75 (19.05)	.46 (11.68)	1.18 (29.97)	.04 (1.02)	.17 (4.32)	1.00 (25.40)	.50 (12.70)	.35 (8.89)	.18 (4.57)	.21 (5.28)	1.88 (47.75)	.106 (2.69)	35.0

Dimensions are in inches (mm). Tolerances: 2Pl. $\pm .03$; 3Pl. $\pm .015$
Tolerance on hole size and interaxes dimensions to be $\pm .005$.

Note:

1. Case material: Brass
2. Case finish: Nickel plate

Mini-Circuits®

INTERNET <http://www.minicircuits.com>

P.O. Box 350166, Brooklyn, New York 11235-0003 (718) 934-4500 Fax (718) 332-4661

Distribution Centers NORTH AMERICA 800-654-7949 • 417-335-5935 • Fax 417-335-5945 • EUROPE 44-1252-832600 • Fax 44-1252-837010

Mini-Circuits ISO 9001 & ISO 14001 Certified