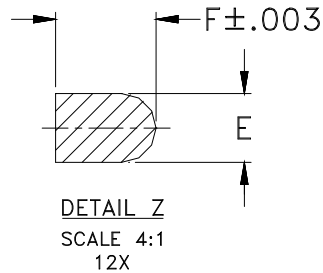
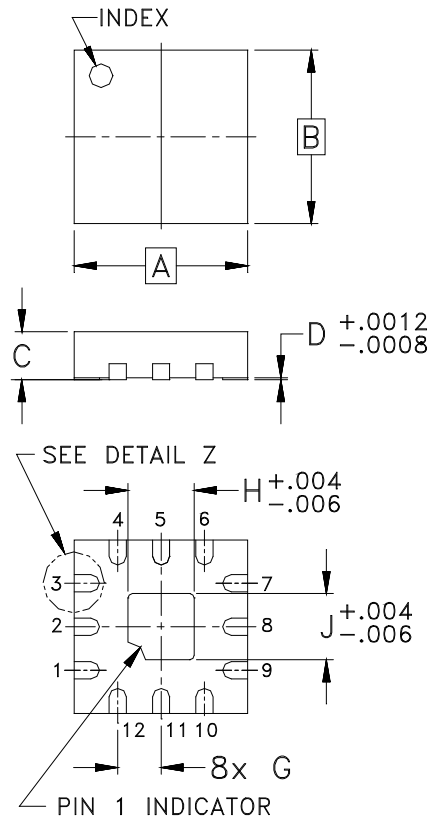
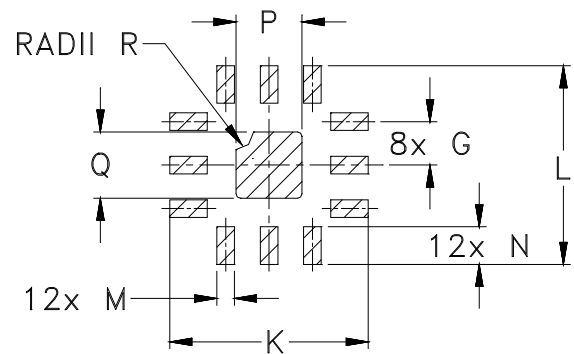


Outline Dimensions



PCB Land Pattern



Suggested Layout,
Tolerance to be within $\pm .002$

CASE#	A	B	C	D	E	F	G	H	J	K	L	M	N
MT1818	.079 (2.00)	.079 (2.00)	.022 (0.55)	.0008 (0.02)	.008 (0.20)	.011 (0.29)	.020 (0.50)	.030 (0.76)	.030 (0.76)	.090 (2.29)	.090 (2.29)	.008 (0.20)	.018 (0.44)

CASE#	P	Q	R	WT, GRAM
MT1818	.030 (0.76)	.030 (0.76)	.008 (0.20)	.010

Dimensions are in inches (mm). Tolerances: 3 Pl. $\pm .002$

Notes:

1. Case material: Plastic.
2. Termination finish: Ni Pd Au.