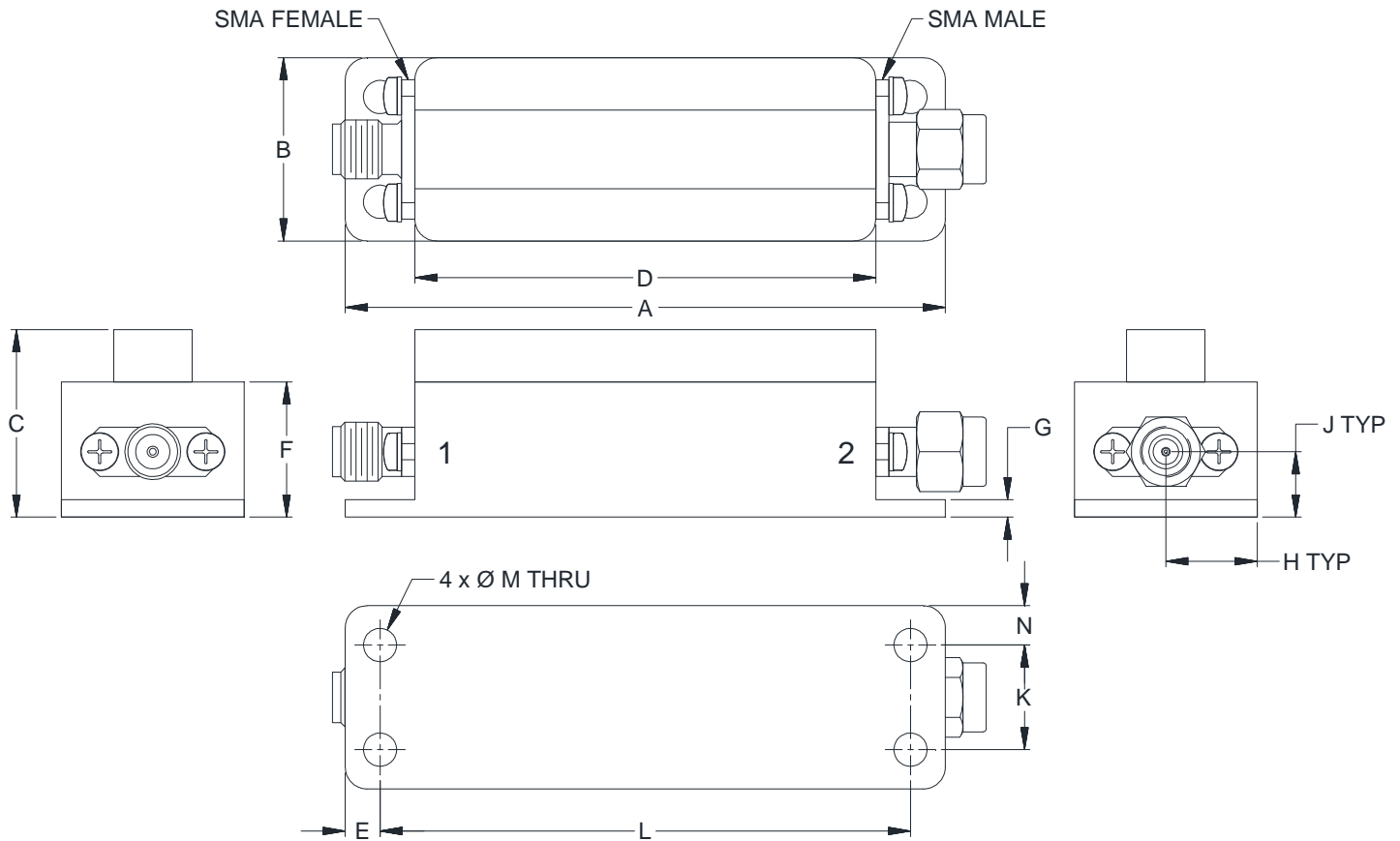


## Outline Dimensions

PN2113



CASE#	A	B	C	D	E	F	G	H
PN2113	2.72 (69.00)	.83 (21.00)	.85 (21.50)	2.09 (53.00)	.16 (4.00)	.61 (15.50)	.08 (2.00)	.41 (10.50)

CASE#	J	K	L	M	N	WT. GRAMS
PN2113	.30 (7.50)	.472 (12.00)	2.401 (61.00)	.150 (3.81)	.18 (4.50)	56

Dimensions are in inches (mm). Tolerances: 2 Pl.  $\pm .03$ ; 3 Pl.  $\pm .015$

### Notes:

1. Case material: Aluminum alloy.
2. Case finish: Powder coated.
3. Refer to the individual model data sheet for the type of connectors available.



P.O. Box 350166, Brooklyn, New York 11235-0003 (718) 934-4500 Fax (718) 332-4661 For detailed performance specs & shopping online see Mini-Circuits web site



The Design Engineers Search Engine Provides ACTUAL Data Instantly From MINI-CIRCUITS At: [www.minicircuits.com](http://www.minicircuits.com)

RF/IF MICROWAVE COMPONENTS