

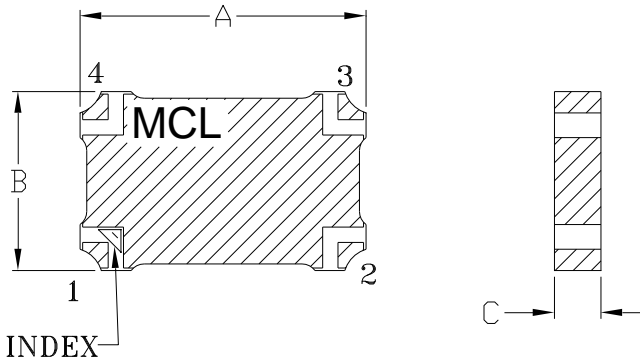
Case Style

PQ

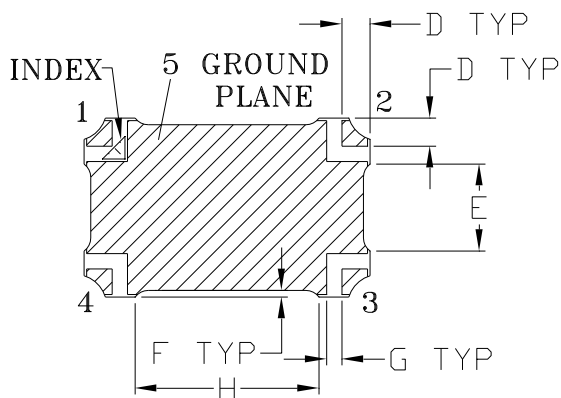
Outline Dimensions

PQ2186

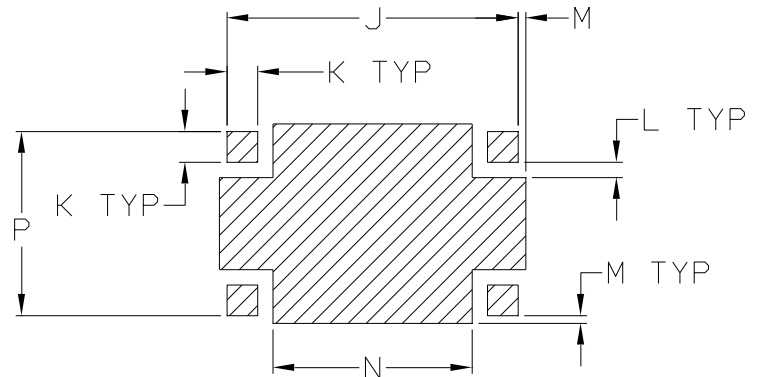
TOP SIDE



BOTTOM SIDE



PCB LAND PATTERN



CASE#	A	B	C	D	E	F	G	H	J	K	L	M	N	P	WT. GRAMS
PQ2186	.560 (14.22)	.350 (8.89)	.091 (2.31)	.055 (1.40)	.170 (4.32)	.013 (0.33)	.030 (0.76)	.360 (9.14)	.570 (14.48)	.060 (1.52)	.030 (0.76)	.015 (0.38)	.390 (9.91)	.360 (9.14)	1.4

Dimensions are in inches (mm). Tolerances: 2PL. +/- .03; 3PL. +/- .010

Notes:

1. Base material: Printed wiring laminate.
2. Termination finish:
For RoHS Cases, all models (+) suffix: 2-5 μ inch (.05-.13 microns) Immersion Gold.
For RoHS-5 Cases, all models no (+) suffix: Tin-Lead plate.



INTERNET <http://www.minicircuits.com>

P.O. Box 350166, Brooklyn, New York 11235-0003 (718) 934-4500 Fax (718) 332-4661

Distribution Centers NORTH AMERICA 800-654-7949 • 417-335-5935 • Fax 417-335-5945 • EUROPE 44-1252-832600 • Fax 44-1252-837010

Mini-Circuits ISO 9001 & ISO 14001 Certified