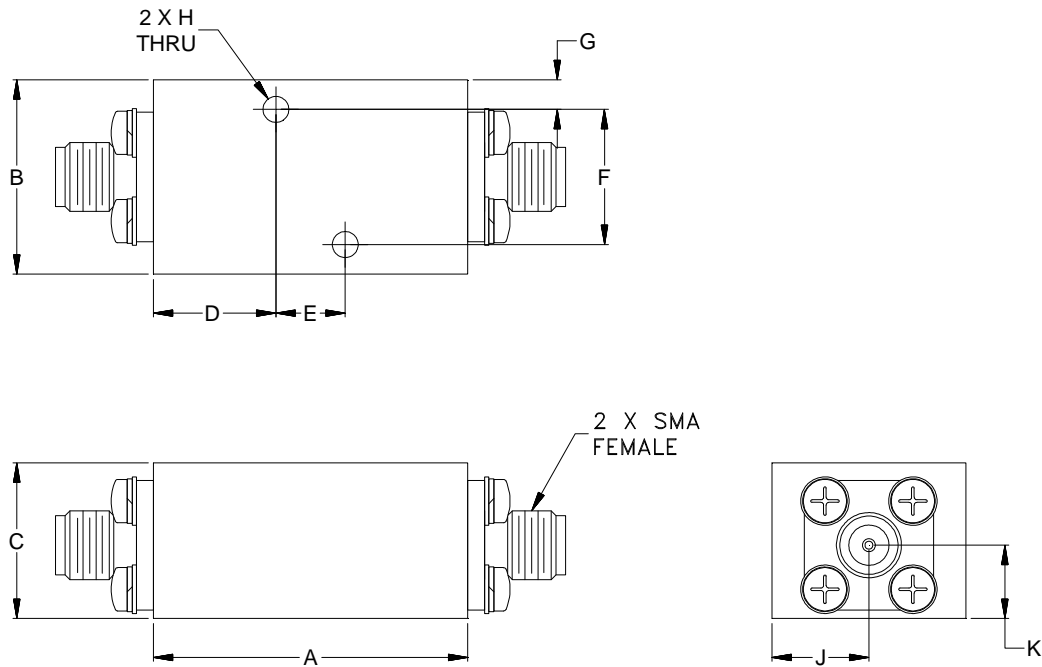


Outline Dimensions

QD2229



CASE#	A	B	C	D	E	F	G	H
QD2229	1.22 (30.86)	.75 (19.05)	.60 (15.24)	.47 (12.03)	.268 (6.81)	.521 (13.23)	.11 (2.91)	.100 (2.54)

CASE#	J	K	WT. GRAMS
QD2229	.38 (9.53)	.28 (7.18)	70

Dimensions are in inches (mm). Tolerances: 2 Pl. $\pm .10$; 3 Pl. $\pm .015$

Notes:

1. Case material: Brass.
2. Case finish: Powder coated over silver plating.
3. Refer to the individual model data sheet for the type of connectors available.

Mini-Circuits®
ISO 9001 ISO 14001 CERTIFIED

ALL NEW
minicircuits.com

P.O. Box 350166, Brooklyn, New York 11235-0003 (718) 934-4500 Fax (718) 332-4661 For detailed performance specs & shopping online see Mini-Circuits web site



The Design Engineers Search Engine Provides ACTUAL Data Instantly From MINI-CIRCUITS At: www.minicircuits.com

RF/IF MICROWAVE COMPONENTS