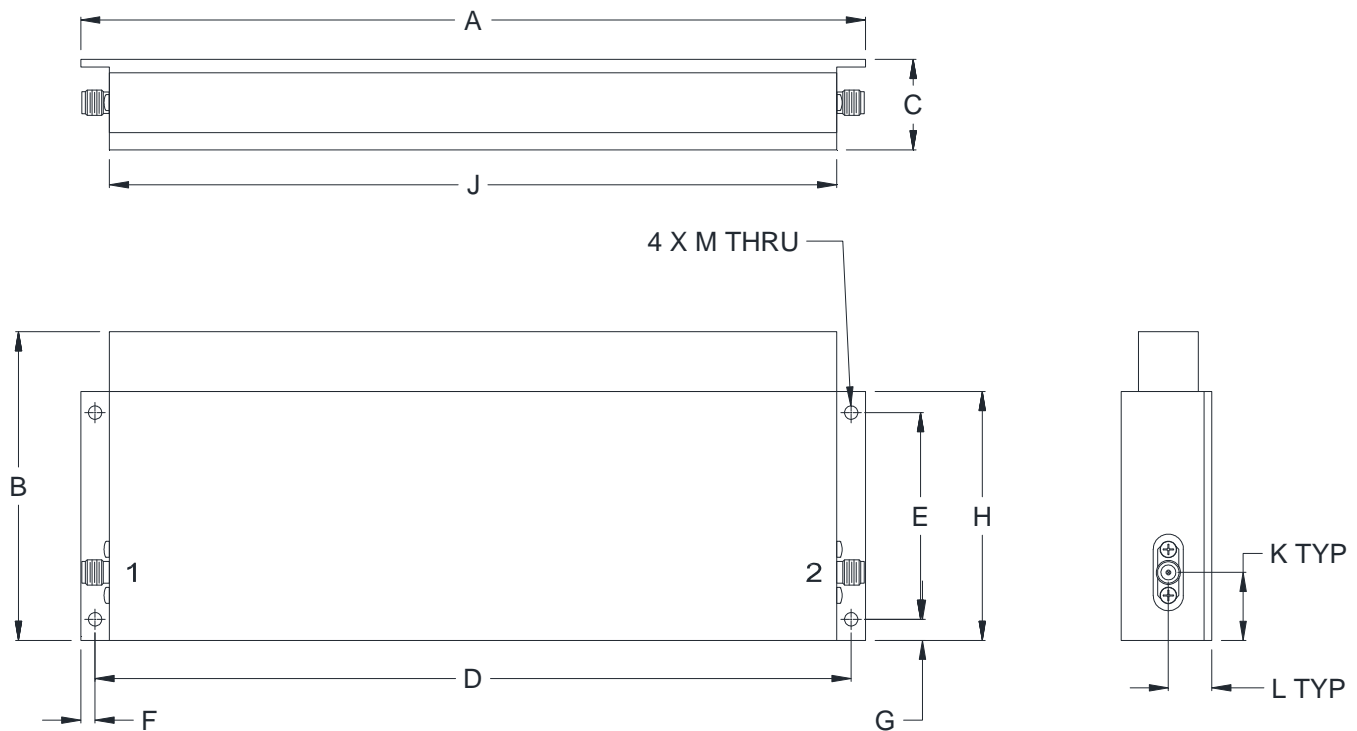


Outline Dimensions

TZ2959



CASE#	A	B	C	D	E	F	G
TZ2959	8.20 (208.3)	3.23 (81.9)	.94 (24.0)	7.900 (200.66)	2.160 (54.86)	.15 (3.8)	.22 (5.6)

CASE#	H	J	K	L	M	WT. GRAMS
TZ2959	2.60 (66.0)	7.60 (193.0)	.71 (18.0)	.45 (11.5)	.140 (3.56)	440

Dimensions are in inches (mm). Tolerances: 2 Pl. $\pm .100$; 3 Pl. $\pm .015$

Notes:

1. Case material: Aluminum alloy.
2. Case Finish: Powder coated.
3. Refer to the individual model data sheet for the type of connectors available.



P.O. Box 350166, Brooklyn, New York 11235-0003 (718) 934-4500 Fax (718) 332-4661 For detailed performance specs & shopping online see Mini-Circuits web site



The Design Engineers Search Engine Provides ACTUAL Data Instantly From MINI-CIRCUITS At: www.minicircuits.com

RF/IF MICROWAVE COMPONENTS